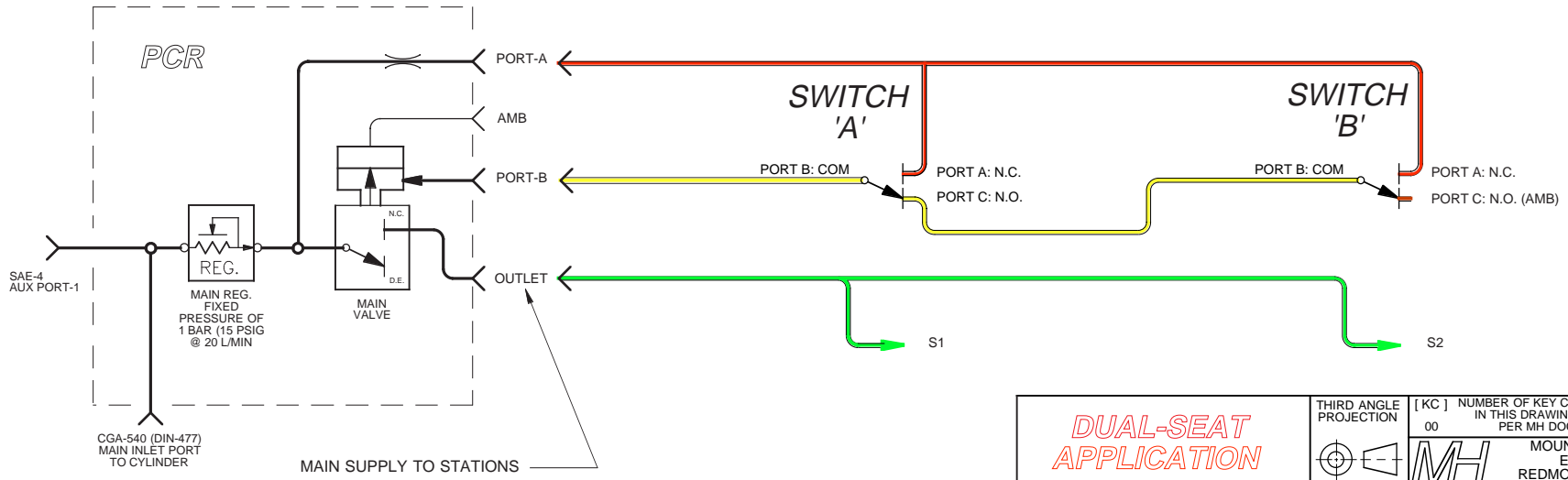
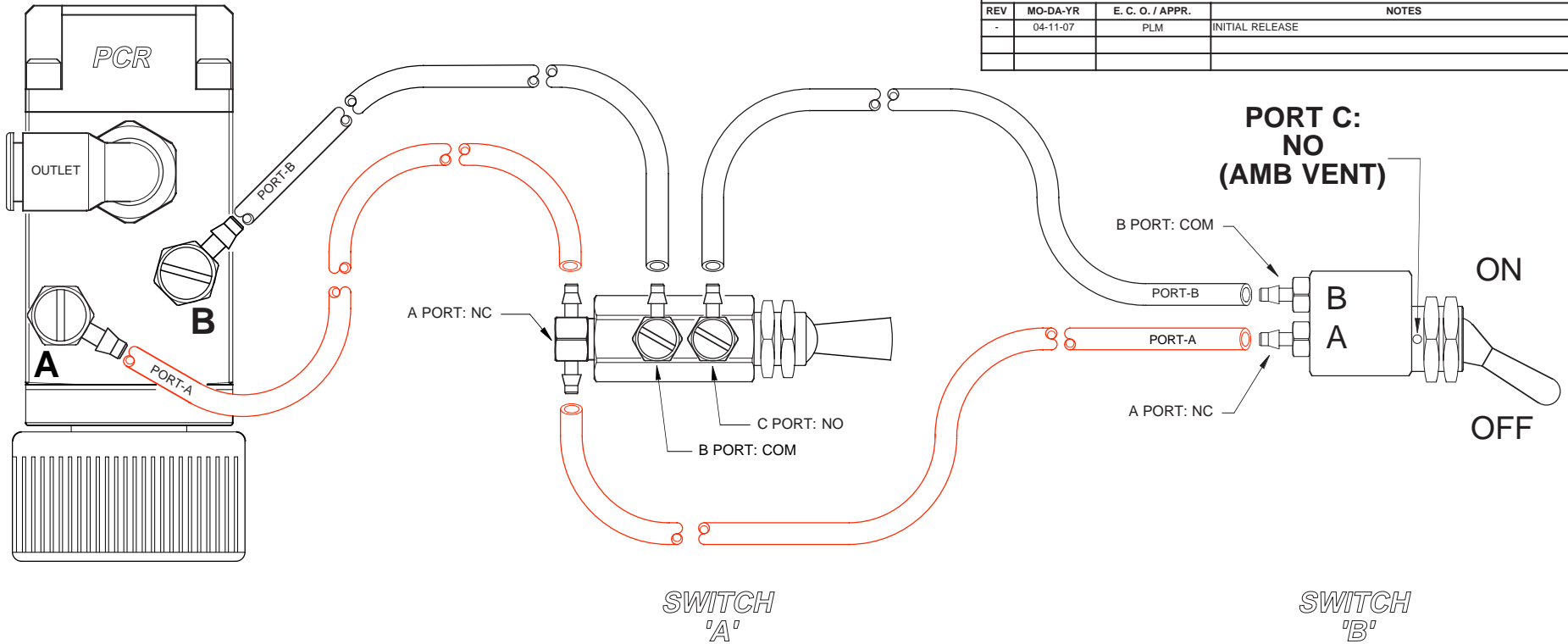


REVISION HISTORY			
REV	MO-DA-YR	E. C. O. / APPR.	NOTES
-	04-11-07	PLM	INITIAL RELEASE



**DUAL-SEAT APPLICATION**

THIRD ANGLE PROJECTION	(KC) NUMBER OF KEY CHARACTERISTICS IN THIS DRAWING / DOCUMENT PER MH DOC: ESR-001 00
	MOUNTAIN HIGH E&S CO. REDMOND, OR. USA
ORIG: PLM 04-11-07	SCHEMATIC FOR PCR DUAL-SEAT
DRWN: PLM 04-11-07	DWG. #: ØPCRØ-0051-02
ENG: PLM 04-11-07	REV -
APPR: NAME MO-DA-YR	SIZE A SHEET 1 OF 1 DO NOT SCALE DRAWING