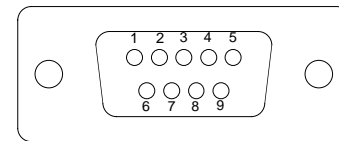
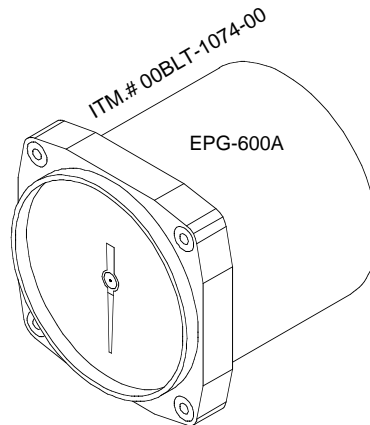
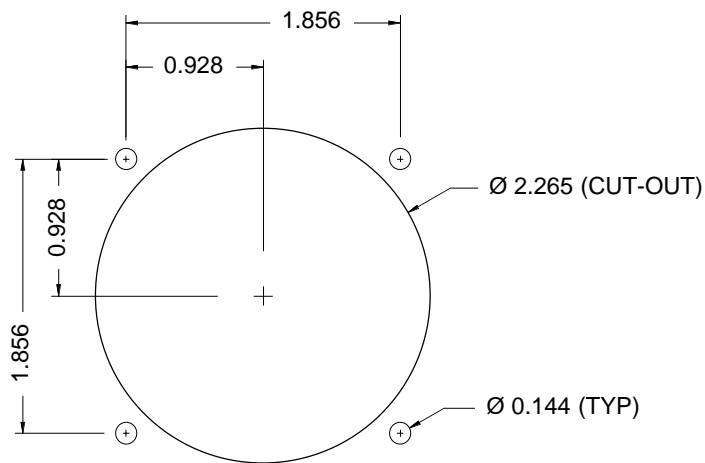
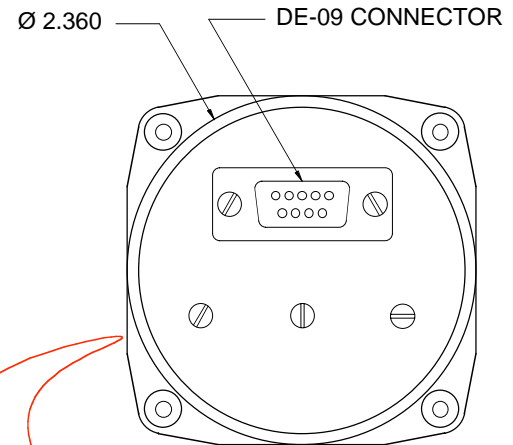
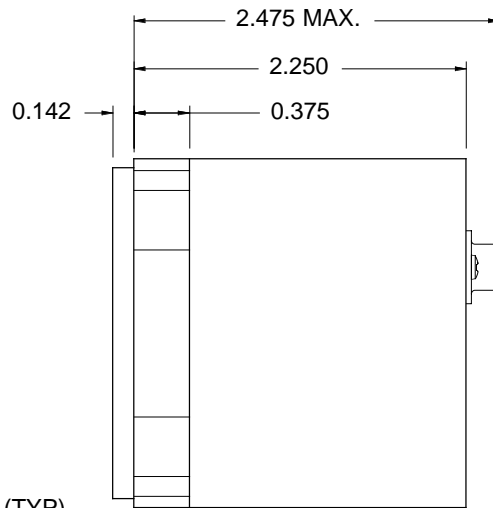
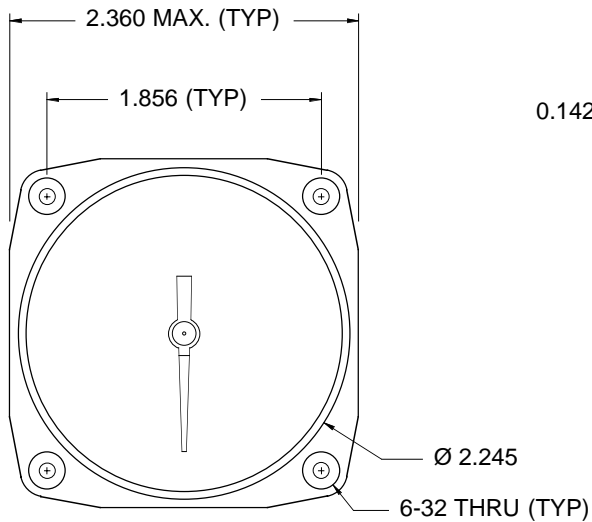


REVISION HISTORY				
REV	MO-DA-YR	NEO / ECO	APPROVED	NOTES
-	11-10-00	PLM.	PLM.	INITIAL DRAFT
A	11-24-00	PLM.	PLM.	CORRECTED HOLE SPACING & DIA.
B	10-06-11	PLM	PLM	SIMPLIFIED REAR-VIEW DETAIL



- 1: +12 TO +32 VDC POWER INPUT
- 2: INTERNALLY CONNECTED TO PIN 1
- 3: +12 VDC OUT FOR 14V SENDING UNITS ONLY
- 4: N/C
- 5: INPUT (4 - 20 MA PRESSURE SENDING UNIT)
- 6: EL INTERNAL LIGHTING AC INPUT
- 7: EL INTERNAL LIGHTING AC INPUT
- 8: INTERNALLY CONNECTED TO PIN 9
- 9: GROUND

MODEL EPG-600A  
ITM.# 00BLT-1074-00

UNLESS OTHERWISE SPECIFIED DIMS ARE IN INCHES.  
TOLERANCES ARE:

0.X	±0.015	ANGLES	FRACTIONS	63 ✓
0.XX	±0.010	± 0.5°	± 1/64	
0.XXX	±0.005			

INTERPRET GD&T PER ASME 14.5 FMT REV G

THIRD ANGLE PROJECTION



DO NOT SCALE DRAWING



MOUNTAIN HIGH  
E&S CO.  
REDMOND, OR. USA

[ KC ] NUMBER OF KEY CHARACTERISTICS  
00 IN THIS DRAWING / DOCUMENT  
PER MH DOC: ESR-001

ORIG.:	PLM	11-10-00	OXYGEN E-GAUGE, 2.25" FORM-FACTOR (SCD)		
DWRN.:	PLM	11-10-00	DWG. # 0EPG6-051-002	REV B	SIZE A
ENG.:	PLM	11-10-00	MOD.# EPG-600A	ITM.# 00BLT-1074-00	
APPR.:	NAME	MO-DA-YR	SHEET 2 OF 3	CUSTOMER CODE	