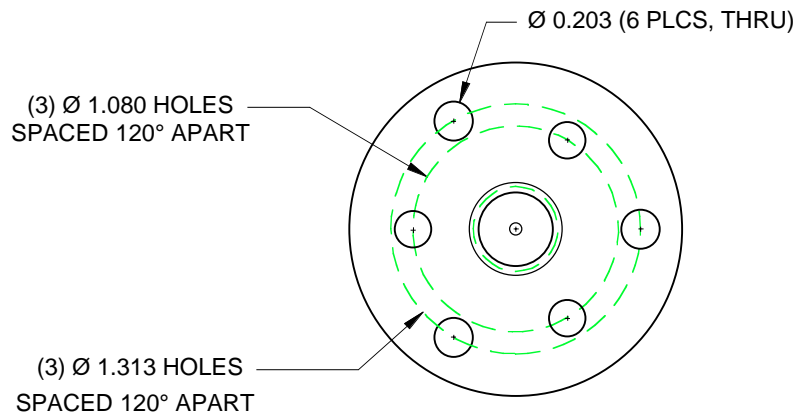
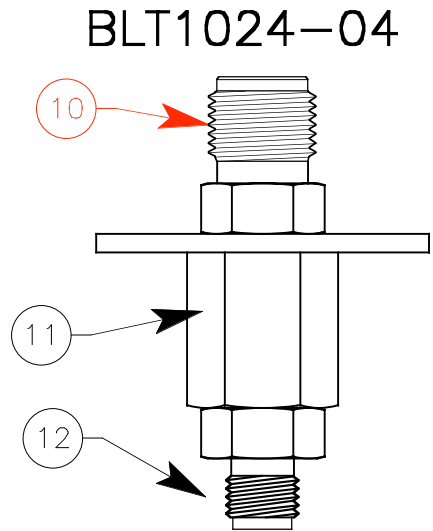
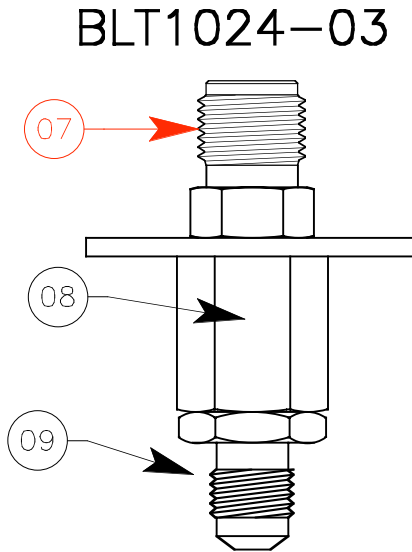
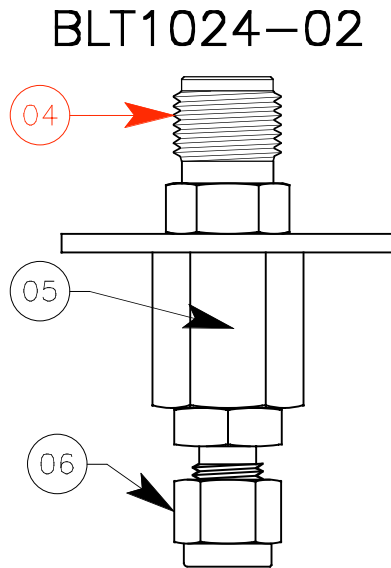
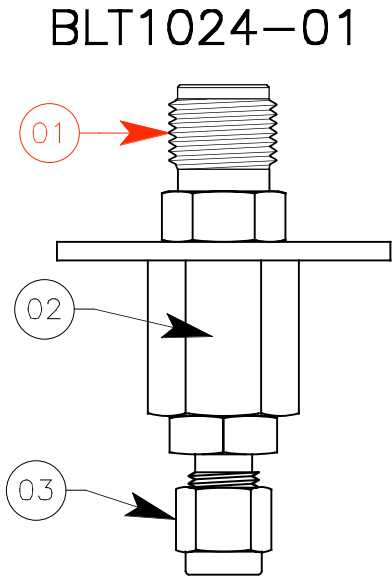


REVISION HISTORY (version roll-offs are kept onfile)				
REV	MO-DA-YR	NEO / ECO	NAME	NOTES
-	05-19-04		SBW	INITIAL DRAFT
A	05-05-12		PLM	MOVED TO NEW FORMAT



PART NO.	REF	QTY	SUB-ASSY.	DESCRIPTION
BLT1024-01	01	01	BLT1012	FILL ADAPTOR
	02	01	CV04-301	BULKHEAD
	03	01	HDW0108-B	-4 BOSS TO 1/8 TUBE
BLT1024-02	04	01	BLT1012	FILL ADAPTOR
	05	01	CV04-301	BULKHEAD
	06	01	HDW0110-B	-4 BOSS TO 1/8 TUBE
BLT1024-03	07	01	BLT1012	FILL ADAPTOR
	08	01	CV04-301	BULKHEAD
	09	01	815-4D	815-4D
BLT1024-04	10	01	BLT1012	FILL ADAPTOR
	11	01	CV04-301	BULKHEAD
	12	01	BLT1010	FILL ADAPTOR

UNLESS OTHERWISE SPECIFIED DIMS ARE IN INCHES. TOLERANCES ARE:		THIRD ANGLE PROJECTION		MOUNTAIN HIGH E&S CO. REDMOND, OR. USA	
0.X ±0.015	ANGLES ±0.5°	FRACTIONS ± 1/64	 DO NOT SCALE DRAWING	[KC]	NUMBER OF KEY CHARACTERISTICS IN THIS DRAWING / DOCUMENT PER MH DOC: ESR-001
0.XX ±0.010				00	
0.XXX ±0.005					
INTERPRET GD&T PER ASME 14.5			FMT REV H	SCOTT TYPE BULKHEAD FILL STATON EXAMPLES	
ORIGINAL MO-DA-YR	SBW		1	DWG. TITLE	CV04-050-001
ENGINEER MO-DA-YR	SBW		2	DWG. NUMBER	REV A
DRAWN MO-DA-YR			3	CAD FILE NUMBER	CV04-202 Line-Up
CHECKED MO-DA-YR			4	INV. PART NUMBER	0-
				DWG. SHEETS	1 OF 1
				DWG. SIZE	A
				CAT ITEM NUMBER	0-