

1

2

3

4

REV	ECO	Release	Drawn	REVISION HISTORY
-0	2019-051	2019-12-04	SGO	Customer Drawing - SCD

# MH "2G" Regulator Family Part Numbering

**00REG - 2**

**"Family" Prefix**  
2: "2G" Regulator Family

**Series/Family**  
0: (Unused/Reserved)  
1: Single-Stage  
2: 2-Stage

**Inlet Option**  
0: CGA-540N  
1: DIN-477-9N  
2: SAE-4M

**Gauge Option**  
0: NO Gauge  
1: With Gauge

**Outlet Option**  
04: XCR (4mm Tube)  
06: EOS (6mm Tube)  
10: XCP (Radial CPC)  
14: FPR (4x CPC)

A

A

B


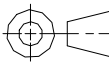
B

C

C

D

D

UNLESS OTHERWISE SPECIFIED, DIMENSIONS ARE IN INCHES. TOLERANCES ARE: 0.X ±.015      ANGLES ± 3° 0.XX ±.010      FRACTIONS ± 1/64 0.XXX ±.005 INTERPRET GD&T PER ASME 14.5		 <b>MOUNTAIN HIGH E&amp;S CO.</b> <b>REDMOND, OR. USA</b>	
THIRD ANGLE PROJECTION  DO NOT SCALE DRAWING		THIS DOCUMENT AND ALL TECHNICAL DATA HEREON DISCLOSED ARE PROPERTY OF MOUNTAIN HIGH E&S CO. AND SHALL NOT BE USED, RELEASED OR DISCLOSED IN WHOLE OR PART WITHOUT WRITTEN PERMISSION FROM MOUNTAIN HIGH E&S CO. THIS DOCUMENT MUST BE RETURNED TO MOUNTAIN HIGH E&S CO. IMMEDIATELY UPON REQUEST.	
DRAWN SGO 2019-11-20 CHECKED EAM 2019-12-04 ENGINEER TG 2019-12-04 APPROVED HBS 2019-12-04		<b>Regulator Assy 2G, Single-Stage, Customer Drawing [SCD]</b> <b>5SREG-21xx-xx</b> DWG NUMBER CAD FILE 00REG-21xx-xx\$-0 INV. PART NUMBER 00REG-21xx-xx PROD. NAME DWG SHEET 1 OF 5 DWG SCALE DWG SIZE A 8½x11	
		DWG TITLE <b>5SREG-21xx-xx</b> DWG REV. <b>-0</b>	

1

2

3

4

**GENERAL SPECIFICATIONS**

Materials: UNS C36000 (CDA-360) Brass  
 UNS A96061 (6061-T6) Aluminum

Inlet Pressure Rating: 3000 PSI MAX  
 Regulated Outlet: 16 ± 2 PSI (Dynamic) (NOM 1 Bar)  
 20 ± 2 PSI (Static)

Average Flow Rate: 40 L/min (AVG)

Temperature Range: -50°F to +130°F [-45°C to +55°C]

High Pressure (Gauge) Port: 1/8-27 (F)NPT  
 Inlet Style: (see table)  
 Outlet Style: (see table)  
 Weight: (see table)

Spare O-ring:  
**00REG-210x-xx:** MH p/n 09001-0011-90 (CGA-540N)  
**00REG-211x-xx:** MH p/n 09001-3113-70 (DIN-477-9N)  
**00REG-212x-xx:** N/A (SAE-4M)

**Standard Configurations - MH "2G" Regulator Family - Single-Stage Regulators**

Regulator	Inlet Fitting	Outlet Fitting	Orientation	Gauge	Weight	Insert
00REG-2100-04	CGA-540N	4mm Tube (XCR)	Axial	(none)	4.0 oz [114 g]	5IREG-210x-0x
00REG-2100-06		6mm Tube (EOS)	Axial		4.1 oz [115 g]	
00REG-2100-10		5/16 CPC (XCP)	Radial		4.8 oz [135 g]	5IREG-210x-1x
00REG-2100-14		4x 5/16 CPC (FPR)	Axial		5.7 oz [161 g]	
00REG-2101-04		MH-300	4mm Tube (XCR)	Axial	4.7 oz [134 g]	5IREG-210x-0x
00REG-2101-06			6mm Tube (EOS)	Axial	4.8 oz [135 g]	
00REG-2101-10			5/16 CPC (XCP)	Radial	5.5 oz [155 g]	5IREG-210x-1x
00REG-2101-14			4x 5/16 CPC (FPR)	Axial	6.4 oz [181 g]	
00REG-2110-04	DIN-477-9N	4mm Tube (XCR)	Axial	(none)	4.2 oz [118 g]	5IREG-211x-0x
00REG-2110-06		6mm Tube (EOS)	Axial		4.2 oz [119 g]	
00REG-2110-10		5/16 CPC (XCP)	Radial		4.9 oz [139 g]	5IREG-211x-1x
00REG-2110-14		4x 5/16 CPC (FPR)	Axial		5.8 oz [165 g]	
00REG-2111-04		MH-400	4mm Tube (XCR)	Axial	4.7 oz [134 g]	5IREG-211x-0x
00REG-2111-06			6mm Tube (EOS)	Axial	4.8 oz [135 g]	
00REG-2111-10			5/16 CPC (XCP)	Radial	5.5 oz [155 g]	5IREG-211x-1x
00REG-2111-14			4x 5/16 CPC (FPR)	Axial	6.4 oz [181 g]	
00REG-2120-04	SAE-4M	4mm Tube (XCR)	Axial	(none)	3.2 oz [ 91 g]	5IREG-212x-0x
00REG-2120-06		6mm Tube (EOS)	Axial		3.2 oz [ 92 g]	
00REG-2120-10		5/16 CPC (XCP)	Radial		4.0 oz [112 g]	5IREG-212x-1x
00REG-2120-14		4x 5/16 CPC (FPR)	Axial		4.9 oz [138 g]	
00REG-2121-04		MH-300	4mm Tube (XCR)	Axial	3.9 oz [111 g]	5IREG-212x-0x
00REG-2121-06			6mm Tube (EOS)	Axial	4.0 oz [112 g]	
00REG-2121-10			5/16 CPC (XCP)	Radial	4.7 oz [132 g]	5IREG-212x-1x
00REG-2121-14			4x 5/16 CPC (FPR)	Axial	5.6 oz [158 g]	

**Notes**

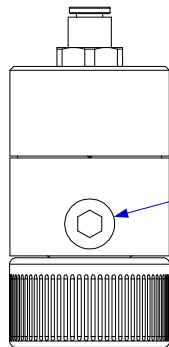
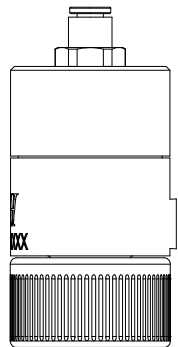
See referenced **Insert** documents for additional information specific to individual regulator models.

Other **Outlet** and **HP (Gauge) Port** configurations are available by special order. Additional **Outlet** options include a -4JIC-M adapter; **HP Port** options include several different styles of AN-800 Fill Ports.

Contact MH Customer Service to discuss your particular requirements.

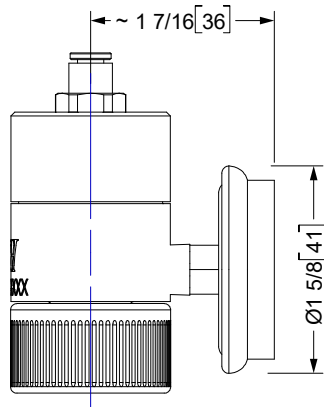


**High Pressure (Gauge) Port Options**

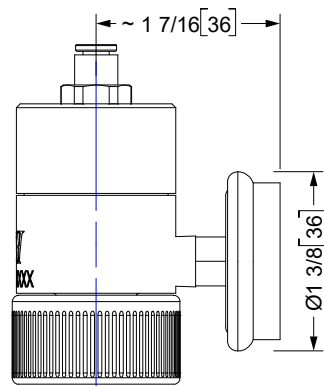


1/8-27 NPT  
HP Port  
(w/ Plug)

21x0-xx (NO GAUGE Option)

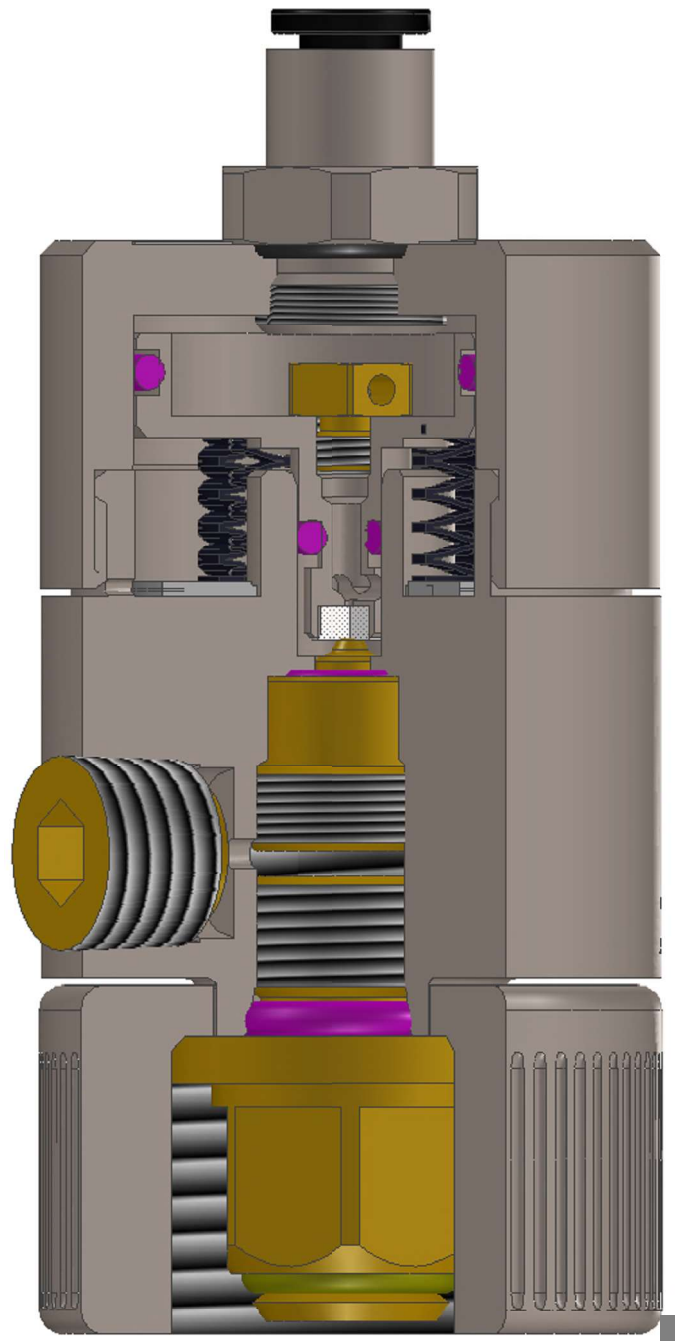


2101-xx (CGA, MH-300 Gauge)  
2121-xx (SAE, MH-300 Gauge)



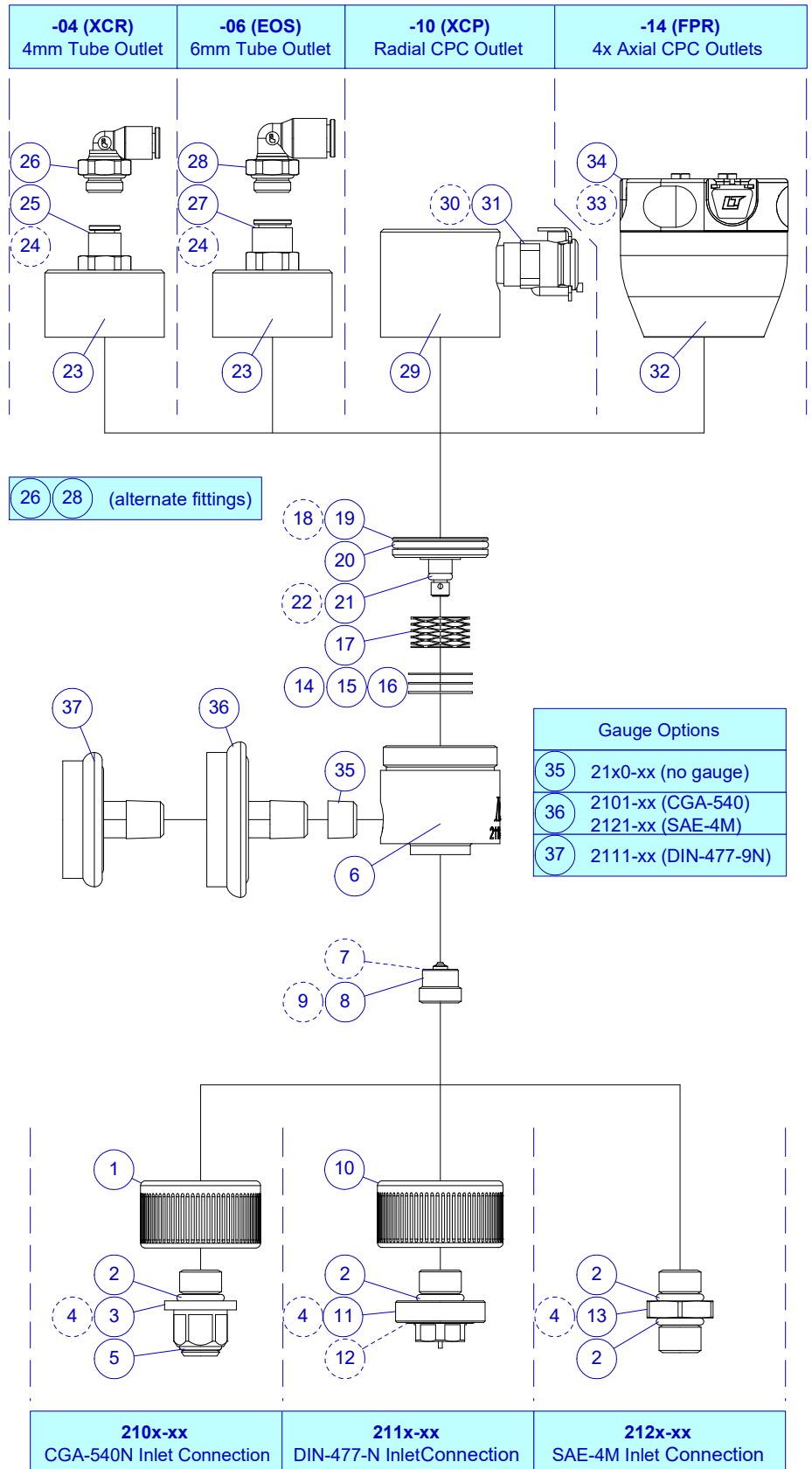
2111-xx (DIN, MH-400 Gauge)

**Cutaway View w/ Internals  
(2100-04 Depicted)**



# MH "2G" Regulator - Parts List and Exploded View

Item	Description
1	Grip-Nut, CGA-540
2	O-Ring
3	Inlet Nipple, CGA-540N
4	Filter
5	O-Ring
6	Body
7	O-Ring
8	Seat
9	Filter
10	Grip Nut, DIN-477
11	Inlet Nipple, DIN-477-9N
12	O-Ring
13	Inlet Adapter, SAE-4M
14	Shim, .010
15	Shim, .016
16	Shim, .020
17	Spring
18	Diffuser
19	Piston
20	O-Ring
21	O-Ring
22	Puck
23	Outlet Body, Axial
24	Label
25	Outlet Fitting, 4mm tube, Straight
26	Outlet Fitting, 4mm tube, 90° Elbow
27	Outlet Fitting, 6mm tube, Straight
28	Outlet Fitting, 6mm tube, 90° Elbow
29	Outlet Body, Radial
30	Label
31	QD Outlet Fitting
32	Outlet Body, FPR
33	O-Ring
34	FPR Outlet Cap
35	NPT Plug
36	MH-300 Medium Pressure Gauge
37	MH-400 High Pressure Gauge



DWG NUMBER

**5SREG-21xx-xx**

DWG REV. -0

DWG SHEET 5 OF 5