

1

2

3

4

**GENERAL SPECIFICATIONS**

Material: UNS C36000 (CDA-360) Brass  
UNS A96061 (6061-T6) Aluminum

Inlet Pressure Rating: 3000 PSI MAX  
Regulated Outlet: 16 ± 2 PSI (Dynamic) (NOM 1 Bar)  
20 ± 2 PSI (Static)

Average Flow Rate: 40 L/min (AVG)  
Temperature Range: -50°F to +130°F [-45°C to +55°C]

Inlet Fitting: DIN-477-9N  
Spare O-ring: MH p/n 09001-3113-70 (DIN-477-9N, Item #6)

**1095-04:** Outlet Fitting G-1/8 BSPP x 4mm Tube Weight 6.1 oz [173 g]  
**1095-06:** Outlet Fitting G-1/8 BSPP x 6mm Tube 6.1 oz [173 g]

REV	ECO	Release	Drawn	REVISION HISTORY
-0	2018-040	2018-12-06	SGO	Product Insert Drawing

A

A

B

B

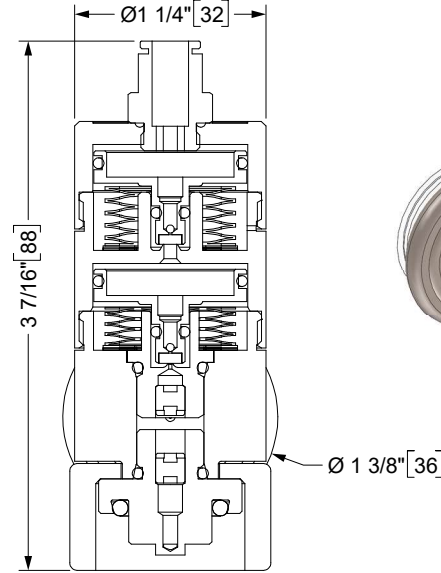
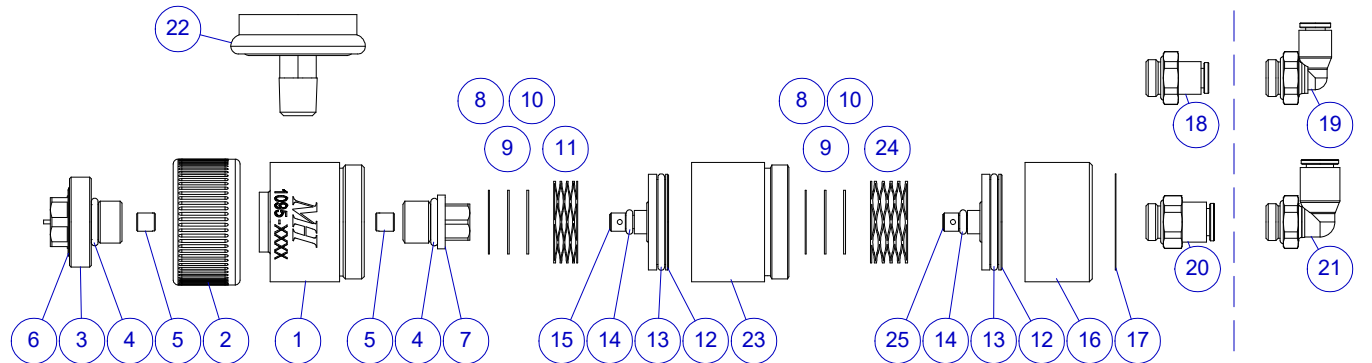
C

C

D

D

REF	Qty	Description
1	1	Inlet Body, Gauge
2	1	Grip-Nut, DIN-477-9
3	1	Inlet Nipple, DIN-477-9N
4	2	O-Ring
5	2	Filter
6	2	O-Ring
7	1	Inlet Seat
8	A/R	Shim, .010
9	A/R	Shim, .016
10	A/R	Shim, .020
11	1	Spring
12	2	Piston
13	2	O-Ring
14	2	O-Ring
15	1	Puck
16	1	Outlet Body, Axial
17	1	Label
18	1	Outlet Fitting, 4mm tube, Straight
19	1	Outlet Fitting, 4mm tube, 90° Elbow
20	1	Outlet Fitting, 6mm tube, Straight
21	1	Outlet Fitting, 6mm tube, 90° Elbow
22	1	MH-400 High Pressure Gauge
23	1	Center Body, 2-Stage Reg
24	1	Spring
25	1	Puck

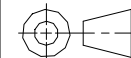


UNLESS OTHERWISE SPECIFIED, DIMENSIONS ARE IN INCHES. TOLERANCES ARE:  
0.X ±0.015  
0.XX ±0.010  
0.XXX ±0.005

ANGLES ± 3°  
FRACTIONS ± 1/64

INTERPRET GD&T PER ASME 14.5

THIRD ANGLE PROJECTION



DO NOT SCALE DRAWING

DRAWN	SGO
CHECKED	EAM
ENGINEER	TD
APPROVED	HBS
2018-11-26	2018-12-06
2018-12-04	2018-12-06

**MH**

**MOUNTAIN HIGH E&S CO.  
REDMOND, OR. USA**

THIS DOCUMENT AND ALL TECHNICAL DATA HEREON DISCLOSED ARE PROPERTY OF MOUNTAIN HIGH E&S CO. AND SHALL NOT BE USED, RELEASED OR DISCLOSED IN WHOLE OR PART WITHOUT WRITTEN PERMISSION FROM MOUNTAIN HIGH E&S CO. THIS DOCUMENT MUST BE RETURNED TO MOUNTAIN HIGH E&S CO. IMMEDIATELY UPON REQUEST.

**Regulator Assy, 2-Stage Axial,  
w/ Gauge, DIN-477-9 [SCD]**

DWG TITLE

DWG NUMBER

CAD FILE 00REG-1093\*1095-xx\$-0

DWG FORMAT: ESR-002 Rev H [20]

INV. PART NUMBER 00REG-1095-04

DWG SCALE

PROD. NAME XCR-DIN-2SA-1P-G-4mm

DWG SHEET 1 OF 1

DWG REV. -0

DWG SIZE A 11x8 1/2

1

2

3

4