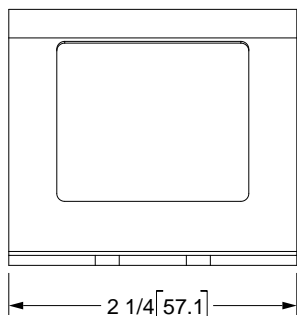
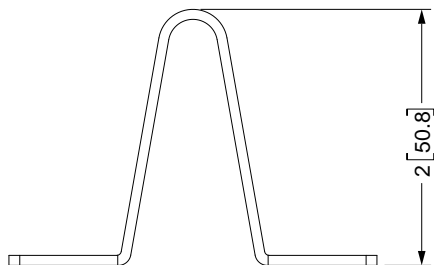
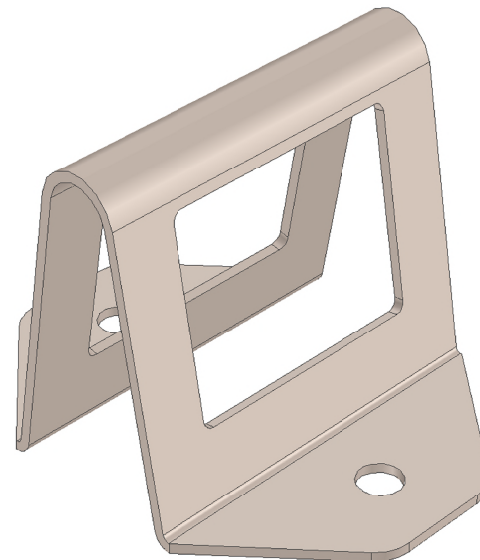
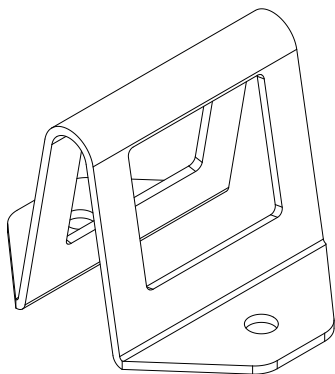
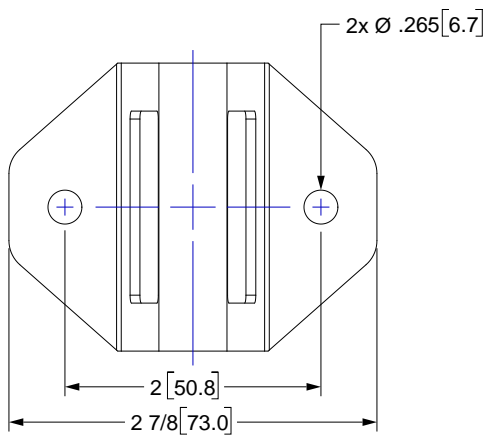


REV	ECO	Release	Drawn	REVISION HISTORY
A0	2022-012	2020-03-15	SGO	Customer Drawing



Notes:

1. Material: 14ga (.078) T-304 Stainless Steel
2. See document 5ICMK-0024-00 A-Bracket Cylinder Mounting Kit for information on mounting the A-Brackets and configuring your Cylinder Mounting Kit for a particular cylinder.

UNLESS OTHERWISE SPECIFIED,
DIMENSIONS ARE IN INCHES.
DIMENSIONS IN [] ARE MILLIMETERS (REF)
TOLERANCES ARE:
0.X ±0.015 ANGLES ±3°
0.XX ±0.010 FRACTIONS ±1/64
0.XXX ±0.005
INTERPRET GD&T PER ASME 14.5

MH MOUNTAIN HIGH E&S CO.
REDMOND, OR. USA

THIS DOCUMENT AND ALL TECHNICAL DATA HEREON DISCLOSED ARE PROPERTY OF MOUNTAIN HIGH E&S CO. AND SHALL NOT BE USED, RELEASED OR DISCLOSED IN WHOLE OR PART WITHOUT WRITTEN PERMISSION FROM MOUNTAIN HIGH E&S CO. THIS DOCUMENT MUST BE RETURNED TO MOUNTAIN HIGH E&S CO. IMMEDIATELY UPON REQUEST.

THIRD ANGLE PROJECTION	DRAWN	SGO	DWG TITLE		A-Style CMK Universal Mounting Bracket [SCD]
	2022-03-14		DWG NUMBER		
DO NOT SCALE DRAWING	CHECKED		DWG NUMBER		DWG REV.
	ENGINEER		5SCMK-0024-00		A0
	APPROVED		SRC FILE	00OEM-032-000\$A0	INV. PART NUMBER
			00OEM-032-00	PROD. NAME	CMK-A Bracket
			DWG FORMAT:	ESR-002 Rev H [27]	DWG SCALE
			1:1	DWG SHEET	1 OF 1
				DWG SIZE	A 11x8 1/2