

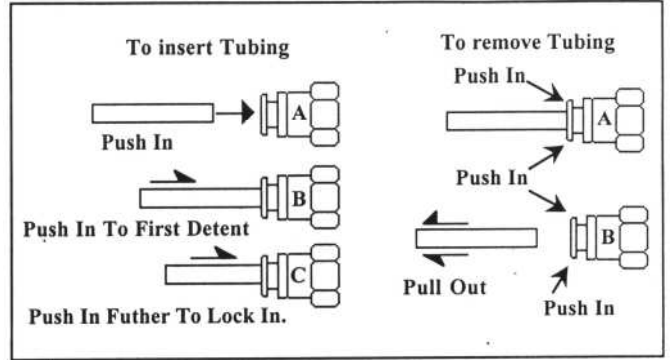
00REG-1054-00 (EOS)

CGA540 USA Norm (6mm Outlet)
XCR Radial Outlet Oxygen Pressure Regulator
Outlet Pressure Set to 15 psig. (~1.0 BAR)
Inlet Pressure 3,000 psig service MAX.



DO NOT ATTEMPT TO REMOVE REGULATOR FROM CYLINDER WHILE UNDER PRESSURE!

The regulator grip-ring will be difficult to turn while under pressure, doing so will destroy the regulator input o-ring. Bleed pressure by turning off the main cylinder valve then remove tubing from regulator.



Spare O-Ring
P/N 09001-0011-90

5IREG-1054-00 (09/14)



Tollfree: 800-468-8185 | Local: 541-923-4100

CUSTOM BUILT-IN AND CARRY ON AVIATION OXYGEN SYSTEMS

Mountain High Oxygen, 2244 SE Airport Way, Suite 100, Redmond OR. 97756 MHOxygen.com

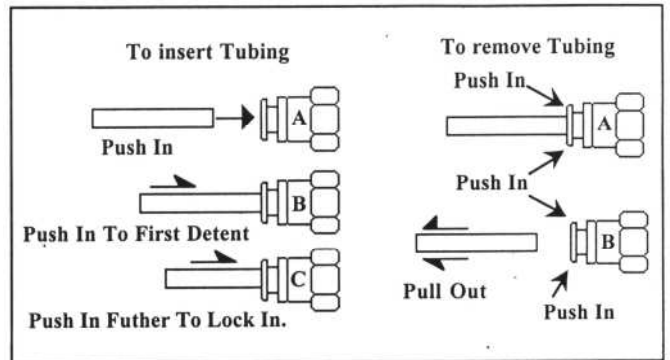
00REG-1054-00 (EOS)

CGA540 USA Norm (6mm Outlet)
XCR Radial Outlet Oxygen Pressure Regulator
Outlet Pressure Set to 15 psig. (~1.0 BAR)
Inlet Pressure 3,000 psig service MAX.



DO NOT ATTEMPT TO REMOVE REGULATOR FROM CYLINDER WHILE UNDER PRESSURE!

The regulator grip-ring will be difficult to turn while under pressure, doing so will destroy the regulator input o-ring. Bleed pressure by turning off the main cylinder valve then remove tubing from regulator.



Spare O-Ring
P/N 09001-0011-90

5IREG-1054-00 (09/14)



Tollfree: 800-468-8185 | Local: 541-923-4100

CUSTOM BUILT-IN AND CARRY ON AVIATION OXYGEN SYSTEMS

Mountain High Oxygen, 2244 SE Airport Way, Suite 100, Redmond OR. 97756 MHOxygen.com