

p/n: 00HDW-0396-01

MH-1 Cylinder Adapter, 1 in NGT to 3/4-16



Aviation Oxygen Systems
MOUNTAIN HIGH
 Equipment & Supply Company

Date:

Cleaned for Oxygen Service per MH ESR-008

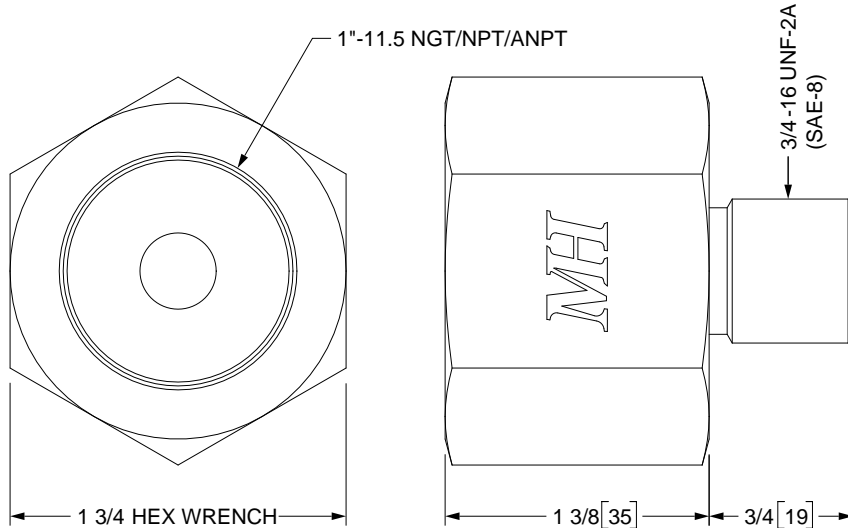
REV	ECO	Release	Drawn	REVISION HISTORY
-1	2021-017A	2021-04-08	SGO	Customer Drawing

Installation Instructions

1. Clean the regulator threads of all previously used sealing material.
 2. Beginning with the 2nd thread, wrap regulator threads with 2-3 turns of high density PTFE tape. Wrap tape in proper direction so that it will not peel back when the regulator is installed.
 3. Thread regulator into MH-1 Adapter and tighten by hand as much as possible.
 4. Hold the MH-1 Adapter with a socket or box-end wrench and then using the appropriate wrench for the regulator, tighten the regulator an additional 2 turns.
- DO NOT CLAMP THE MH-1 ADAPTER IN A VISE!**
5. Use the appropriate O-Ring as indicated in the table and lightly lube with an oxygen-compatible lubricant (e.g., Christo-Lube MCG-111).
 6. Without rolling, install the O-Ring over the SAE-8 Boss (3/4-16 male threads).
 7. Thread the regulator/adapter assembly into the cylinder and torque MH-1 adapter to 60 ft-lbs.
 8. **Do not remove MH-1 adapter from regulator.** This item is intended for *one installation only*. If removed, the MH-1 **must be replaced**.

WARNING: Improper installation can result in severe damage, personal injury or death

- Installation should only be performed by authorized, trained service personnel.
- Never work on a pressurized system.
- Install fittings to the proper torque specification using proper tools and procedures.
- Cleanliness is critical. Contaminants such as oil, unapproved lubricants or cleaning agents, or metal particles, pose an **extreme safety hazard** with the potential of fire or explosion.



The **MH-1** adapter enables older valves/regulators with 1 in NGT threads to be used with the more current SAE/MSS-style 3/4-16 threaded cylinders.

GENERAL SPECIFICATIONS

Material: UNS A96061 (6061-T6) Aluminum
 Weight: 3.9 oz [112 g]
 Inlet: 3/4-16 UNF-2A (SAE-8)
 Outlet: 1"-11.5 NGT/NPT/ANPT
 Working Pressure: 3000 PSI
 Temp Range: -50°F to +130°F [-45°C to +55°C]

Cleaned for Oxygen Service per MH ESR-008

Not PMA approved

Includes O-Rings for SAE or MSS cylinder mounting applications (see table for proper O-Ring to match cylinder)

Cylinder Port Style	MH Cylinder Type	O-Ring (MH p/n)
MSS 3/4-16	AL, CFFC	09001-0210-90
SAE-8	KF, CFF	09001-3908-70

UNLESS OTHERWISE SPECIFIED, DIMENSIONS ARE IN INCHES. DIMENSIONS IN [] ARE MILLIMETERS (REF)
 TOLERANCES ARE:
 0.X ±0.015 ANGLES ±3°
 0.XX ±0.010 FRACTIONS ±1/64
 0.XXX ±0.005
 INTERPRET GD&T PER ASME 14.5

MH MOUNTAIN HIGH E&S CO. REDMOND, OR. USA

THIS DOCUMENT AND ALL TECHNICAL DATA HEREON DISCLOSED ARE PROPERTY OF MOUNTAIN HIGH E&S CO. AND SHALL NOT BE USED, RELEASED OR DISCLOSED IN WHOLE OR PART WITHOUT WRITTEN PERMISSION FROM MOUNTAIN HIGH E&S CO. THIS DOCUMENT MUST BE RETURNED TO MOUNTAIN HIGH E&S CO. IMMEDIATELY UPON REQUEST.

THIRD ANGLE PROJECTION	DRAWN SGO 2021-04-06	DWG TITLE MH-1 Cylinder Adapter, 1 in NGT to 3/4-16 [Insert]	
CHECKED	ENGINEER	DWG NUMBER 5IHDW-0396-01	DWG REV. -1
APPROVED	DWG FORMAT: ESR-002 Rev H [26]	DWG SCALE	DWG SHEET 1 OF 1
DO NOT SCALE DRAWING	SRC FILE 00HDW-0396-00\$-1	INV. PART NUMBER 00HDW-0396-01	PROD. NAME MH-1
		DWG SIZE 11x8½	

Insert #: 5IHDW-0396-01