

1

2

3

4

p/n: 00HDW-0364-00

Reducing Adapter, 1in NGT Ext x 3/4-16 UNF Int, Brass

MH

Aviation Oxygen Systems

MOUNTAIN HIGH
Equipment & Supply Company

Date:

Cleaned for Oxygen Service per MH ESR-008

GENERAL SPECIFICATIONS

Material: UNS C36000 (CDA-360) Brass
 Weight: 3.8 oz [108 g]
 External THD: 1"-11.5 NGT
 Internal THD: 3/4-16 UNF-2B
 Pressure Rating: 6000 PSI
 Temp Range: -50°F to +130°F [-45°C to +55°C]
 Clean: For Oxygen Service

Adapts 1" NGT INT THD (F) Port to 3/4-16 UNF EXT THD (M) Fitting

Installation

Field installation should only be performed by authorized, trained service personnel. Proper cleanliness for oxygen service must be maintained.

WARNING: Improper installation can result in severe damage, serious injury or death!**De-pressurize system prior to installation!****NGT Installation**

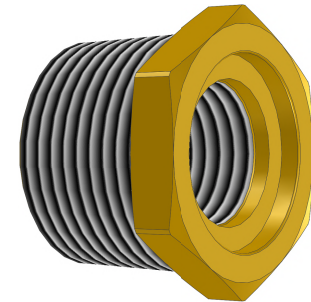
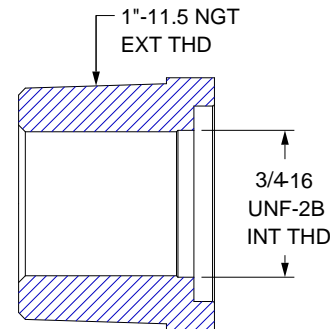
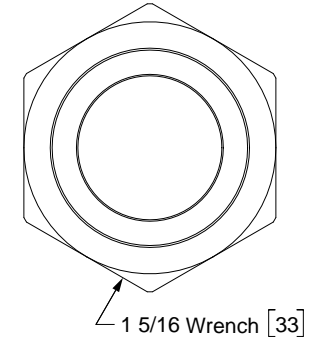
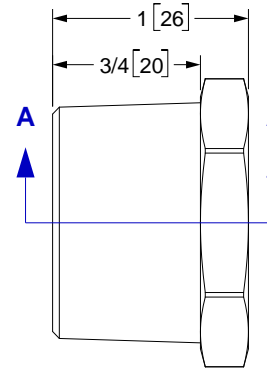
Apply oxygen-compatible Teflon tape (e.g., MIL-SPEC T27730A) to the NGT threads prior to installation. Wrap the tape clockwise as viewed from the NGT threaded end of the fitting. Three wraps of tape are generally sufficient. Do not allow the tape to extend beyond the inboard end of the threads. If any tape should become separated and enter the system it could obstruct internal filters or orifices. It would be better to leave the first thread exposed than to create a situation where a loose piece of tape could enter the oxygen system.

Torque hand-tight plus approximately 2 1/2 turns for NGT connection. Check for leakage once installation is complete. De-pressurize the system before disassembly. If the fitting is removed or loosened, the Teflon tape must be replaced.

UNF Installation

UNF (straight) threads are not taped, but do require an O-ring or gasket to seal the connection. Use the proper O-ring or gasket specified for the cylinder valve or other connector being installed. Note that this is NOT an SAE-8 (J1926) port.

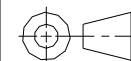
REV	ECO	Release	Drawn	REVISION HISTORY
-0	2020-013	2020-06-09	SGO	Customer Drawing

UNLESS OTHERWISE SPECIFIED,
DIMENSIONS ARE IN INCHES.

DIMENSIONS IN [] ARE MILLIMETERS (REF)

TOLERANCES ARE: ANGLES ± 3°
 0.X ± 0.015 FRACTIONS ± 1/64
 0.XX ± 0.010
 0.XXX ± 0.005

INTERPRET GD&T PER ASME 14.5

THIRD ANGLE
PROJECTIONDO NOT SCALE
DRAWINGDRAWN SGO
2020-06-03CHECKED EAM
2020-06-09ENGINEER JB
2020-06-09APPROVED HBS
2020-06-09**MH****MOUNTAIN HIGH E&S CO.**
REDMOND, OR. USA

THIS DOCUMENT AND ALL TECHNICAL DATA HEREON DISCLOSED ARE PROPERTY OF MOUNTAIN HIGH E&S CO. AND SHALL NOT BE USED, RELEASED OR DISCLOSED IN WHOLE OR PART WITHOUT WRITTEN PERMISSION FROM MOUNTAIN HIGH E&S CO. THIS DOCUMENT MUST BE RETURNED TO MOUNTAIN HIGH E&S CO. IMMEDIATELY UPON REQUEST.

Customer Drawing, Reducing Adapter,
1in NGT Ext x 3/4-16 UNF Int, Brass [SCD]**5SHDW-0364-00**

DWG NUMBER	00HDW-0364-00\$-0	INV. PART NUMBER	00HDW-0364-00	PROD. NAME	
------------	-------------------	------------------	---------------	------------	--

DWG FORMAT:	ESR-002 Rev H [23]	DWG SCALE		DWG SHEET	1 OF 1	DWG SIZE	A 11x8 1/2
-------------	--------------------	-----------	--	-----------	--------	----------	---------------

DWG TITLE
5SHDW-0364-00DWG NUMBER
00HDW-0364-00\$-0

DWG SCALE

DWG REV. **-0**

1

2

3

Insert #: 5IHDW-0364-00