

1

2

3

4

A

A

B

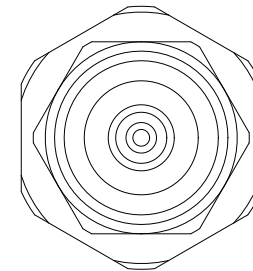
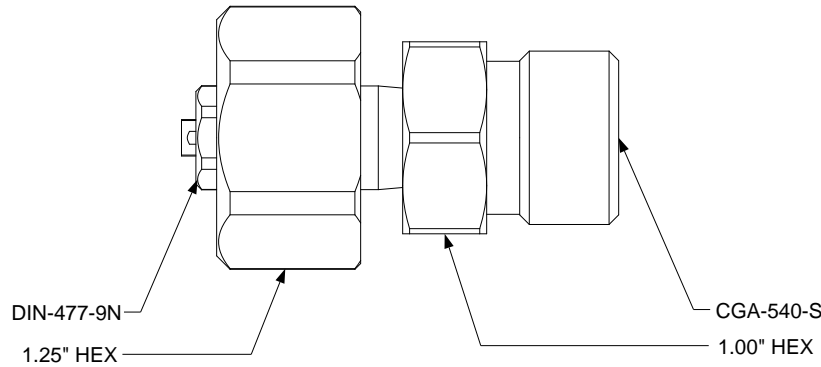
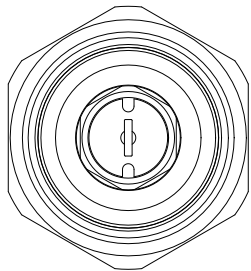
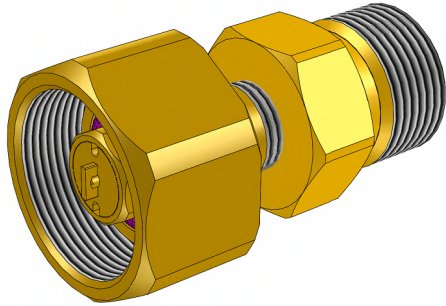
B

C

C

D

D



REVISION HISTORY

REV	ECO NO. YYYY-MM-DD	NAME	NOTES
E0	2013-020A 2013-10-25	SGO	SCD for 00GSE-1027-00 Rev E0; Resolve Drawing/Inventory/Insert numbers
F0	2013-020A 2013-10-25	SGO	SCD for 00GSE-1027-00 Rev F0

NOTES:

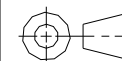
1. Material: CDA-360 Brass
2. Finish: None
3. Clean: Unless otherwise specified, per AIR-1176A Sec. 5
4. Weight: TBD
5. Gas Operating Pressure: 3000 PSIG @ 20°C

UNLESS OTHERWISE SPECIFIED, DIMENSIONS ARE IN INCHES. TOLERANCES ARE:
 0.X ±0.015 ANGLES ±0.5°
 0.XX ±0.010 FRACTIONS ±1/64
 0.XXX ±0.005

63 ✓

INTERPRET GD&T PER ASME 14.5

THIRD ANGLE PROJECTION



DO NOT SCALE DRAWING

DRAWN SGO
2013-10-18

CHECKED

ENGINEER

APPROVED



**MOUNTAIN HIGH E&S CO.
REDMOND, OR. USA**

THIS DOCUMENT AND ALL TECHNICAL DATA HEREON DISCLOSED ARE PROPERTY OF MOUNTAIN HIGH E&S CO. AND SHALL NOT BE USED, RELEASED OR DISCLOSED IN WHOLE OR PART WITHOUT WRITTEN PERMISSION FROM MOUNTAIN HIGH E&S CO. THIS DOCUMENT MUST BE RETURNED TO MOUNTAIN HIGH E&S CO. IMMEDIATELY UPON REQUEST.

DWG TITLE
**Transfiller Adapter,
CGA-540-S to DIN-477-9N/Euro [SCD]**

DWG NUMBER
5IGSE-1027-00 DWG REV. **F0**

CAD FILE INV. PART NUMBER 00GSE-1027-00 PRODUCT NAME

DWG FORMAT: ESR-002 Rev H [12] DWG SCALE DWG SHEET 1 OF 1 DWG SIZE A

1

2

3

4