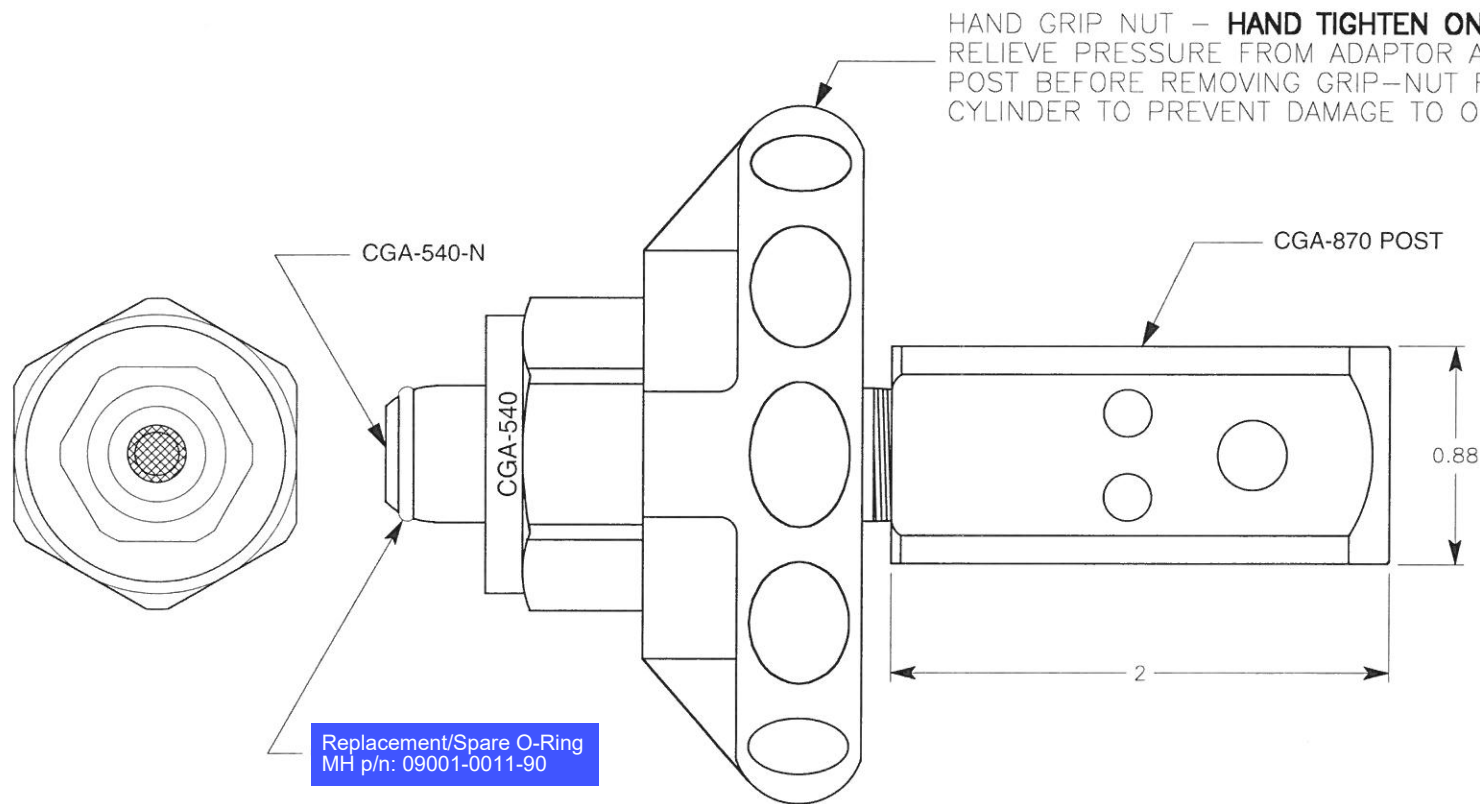


- NOTES:**
1. MATERIAL: CDA-360 BRASS
 2. FINISH: NICKEL PLATE
 3. CLEAN: UNLESS OTHERWISE SPECIFIED, PER AIR-1176A SEC. 5
 4. WEIGHT: 8.0 Oz. MAX.
 5. GAS OPERATING PRESSURE: 3000 PSIG @ 20° C

| REVISION HISTORY | | | |
|------------------|------------|------------------|--|
| REV | DATE | E. C. O. / APPR. | NOTES |
| A | 06-04-03 | SBW | NCHANGE EXTERIOR PROFILE / ADD PLATING |
| A1 | 2020-01-27 | 2020-003 | Change Drawing #: is 51GSE-1025-00 |



**Transfill Adapter,
CGA-870-P to CGA-540
MH p/n: 00GSE-1025-00**

UNLESS OTHERWISE SPECIFIED DIMS ARE IN INCHES.
TOLERANCES ARE:

0.X ±0.015 ANGLES FRACTIONS
0.XX ±0.010 ± 0.5° ± 1/64
0.XXX ±0.005

63

INTERPRET GD&T DIMS AND TOLS PER ASME 14.5

THIRD ANGLE
PROJECTION.



<CR> KEY CHARACTERISTICS
<MA> PER CORP. DOC: ESR-001

NO.

MH MOUNTAIN HIGH
E&S CO.
REDMOND, OR. USA

| | | |
|---------------|----------|--|
| ISSUED: | DATE | Transfill Adapter, CGA-870-P to CGA-540 |
| DRAWN: SBW | 08-15-02 | DWG. #: 51GSE-1025-00 |
| ENGINEER: SBW | 08-15-02 | REV A1 |
| APPR: | DATE | SIZE A SHEET 1 OF 1 DO NOT SCALE DRAWING |