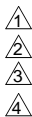


4

3

2

1



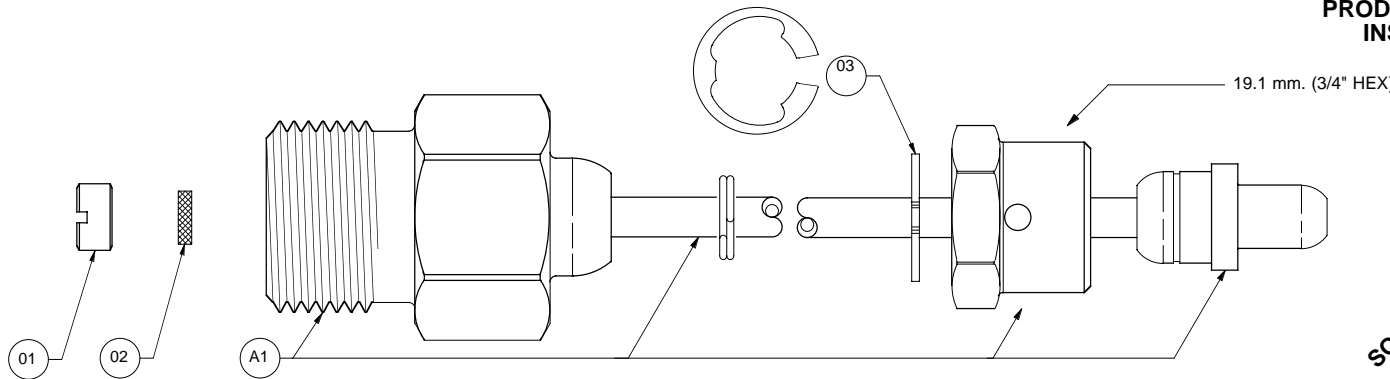
**NOTES:**  
 1. MATERIAL: SEE COMPONENT SPECIFICATIONS.  
 2. FINISH: NONE.  
 3. CLEAN: UNLESS OTHERWISE SPECIFIED, PER AIR-1176A SEC. 5.  
 4. MARKING: UNLESS OTHERWISE SPECIFIED, PER IN-HOUSE DOC. ESR-005.

REMOVE ALL BURRS & SHARP EDGES

REVISION HISTORY (version roll-offs are kept onfile)

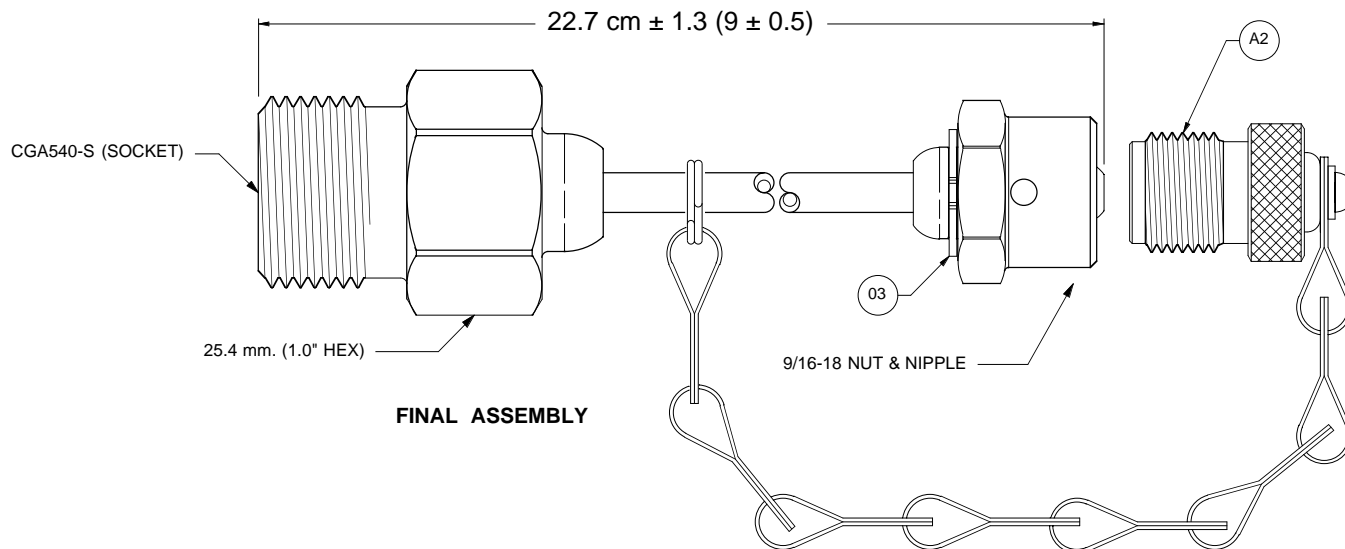
REV	MO-DA-YR	NEO / ECO	NAME	NOTES
A	02-20-01		HBS / PLM	ADDED CAP & CHAIN ASSY
B	11-11-11		HBS / PLM	ADDED SPLIT-RING TO ASSY. DETAIL
C	10-10-2013		HBS / PLM	CHANGED NUT TYPE FROM -000 TO -001 & UPDATED FORMAT

**ASSY. DETAIL FOR  
 PRODUCT ITEM 00GSE-1004-00  
 INSERT # 5IGSE-1004-00**



**SOURCE CONTROL DOCUMENT  
 FOR REFERENCE ONLY**

**ASSY. DETAIL FOR  
 PRODUCT PIN TA-916-S**



ASSEMBLY NOTES:

- INSERT FILTER (ITEM 02) AND SETSCREW (ITEM 01). TORQUE TO 12-16 IN-LB.
- SLIDE SMALL NUT AGAINST SHOULDER AND INSTALL RETAINING RING (ITEM 03).

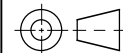
REF	QTY	DWG / PART NO.	REV	SUB-ASSY.	NOMENCLATURE
01	01	ORG10-0202-00	-	-	SETSCREW, HOLLOW
02	01	09025-0003-00	-	-	FILTER
A1	01	-	-	0TA54-0109-00	ASSY, TUBE CGA540-S/SCOTT
03	01	09005-0002-00	-	-	RING, RETAINING
A2	01	-	-	0CP02-0102-01	ASSY, CHAIN AND CAP

UNLESS OTHERWISE SPECIFIED DIMS ARE IN INCHES. TOLERANCES ARE:

0.X	±0.015	ANGLES	FRACTIONS	63
0.XX	±0.010	± 0.5°	± 1/64	
0.XXX	±0.005			

INTERPRET GD&T PER ASME 14.5 FMT REV H

THIRD ANGLE PROJECTION



DO NOT SCALE DRAWING



MOUNTAIN HIGH E&S CO. REDMOND, OR. USA

[KC] 00 NUMBER OF KEY CHARACTERISTICS IN THIS DRAWING / DOCUMENT PER MH DOC: ESR-001

ORIGINAL MO-DA-YR	PLM, 11-24-99	MATERIAL	1	DWG. TITLE	ASSY, CGA540-S/SCOTT TYPE (SCD)		
ENGINEER MO-DA-YR	PLM, 11-24-99	FINISH	2	DWG. NUMBER	TA54-110-000	DWG. REVISION	REV C
DRAWN MO-DA-YR	PLM, 11-24-99	CLEAN	3	CAD FILE NUMBER	TA54-540 AL-Type: -110 (SCD)	DWG. SHEETS	1 OF 1
CHECKED MO-DA-YR	-	MARKING	4	INV. PART NUMBER	00GSE-1004-00	CAT ITEM NUMBER	00GSE-1004-00

4

3

2

1