

REV	ECO	Release	Drawn	REVISION HISTORY
G0	2020-011	2020-06-02	SGO	Customer Drawing

**GENERAL SPECIFICATIONS**

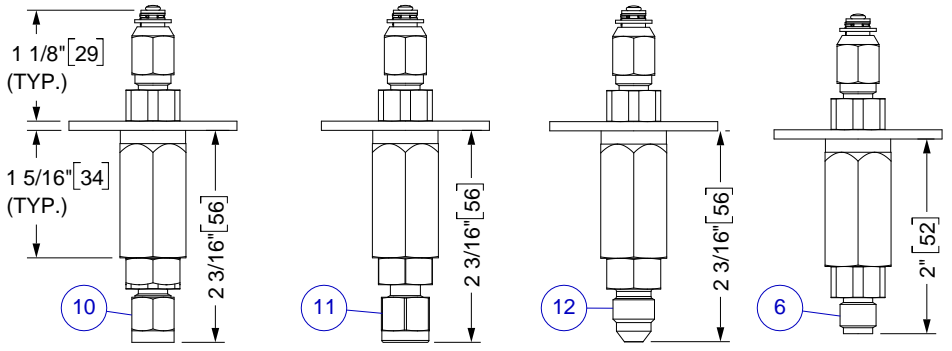
Materials: UNS C36000 (CDA-360) Brass  
 UNS A96061 (6061-T6) Aluminum  
 UNS S30300 (303) Stainless Steel

Weight: 3.0 oz [85 g]  
 Working Pressure: 3000 PSI  
 Temp Range: -50°F to +130°F [-45°C to +55°C]

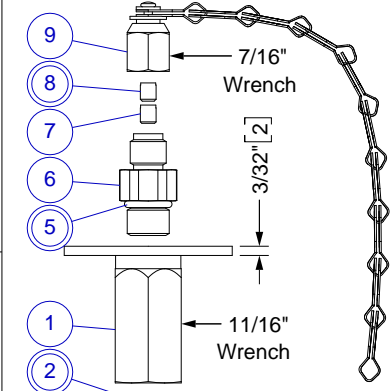
Service Kit: MH p/n KM100-1010-01  
 • Items (2)(3)(4)(5)(8) (indicated by double circle)

Cleaned for oxygen service per MH ESR-008

Inlet: AN800-3 [3/8-24]

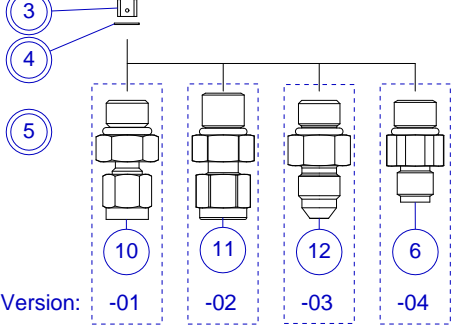


**00BLT-1022-01** 1/8" Tube  
**00BLT-1022-02** 3/16" Tube  
**00BLT-1022-03** JIC-4  
**00BLT-1022-04** AN800-3



**Key**

<span style="border: 1px solid black; border-radius: 50%; padding: 2px;">1</span>	Item #
<span style="border: 2px solid black; border-radius: 50%; padding: 2px;">1</span>	Service Kit Item



Version: -01 -02 -03 -04

REF	-01	-02	-03	-04	Description
1	1	1	1	1	Bulkhead Adapter w/ Check-Valve
2	1	1	1	1	O-Ring (AS-568-003)
3	1	1	1	1	Poppet
4	1	1	1	1	Retaining Ring
5	2	2	2	2	O-Ring (AS-568-904, SAE-4)
6	1	1	1	2	AN800-3 [3/8-24] Adapter
7	1	1	1	1	Orifice
8	1	1	1	1	Filter
9	1	1	1	1	AN-800-3 Cap & Chain Assembly
10	1				1/8" Tube Adapter
11		1			3/16" Tube Adapter
12			1		JIC-4 37° Flare Adapter

UNLESS OTHERWISE SPECIFIED, DIMENSIONS ARE IN INCHES.

TOLERANCES ARE:  
 0.X ±0.015 ANGLES ±3°  
 0.XX ±0.010 FRACTIONS ±1/64  
 0.XXX ±0.005

INTERPRET GD&T PER ASME 14.5 63

THIRD ANGLE PROJECTION

DO NOT SCALE DRAWING

**MH MOUNTAIN HIGH E&S CO.**  
**REDMOND, OR. USA**

THIS DOCUMENT AND ALL TECHNICAL DATA HEREON DISCLOSED ARE PROPERTY OF MOUNTAIN HIGH E&S CO. AND SHALL NOT BE USED, RELEASED OR DISCLOSED IN WHOLE OR PART WITHOUT WRITTEN PERMISSION FROM MOUNTAIN HIGH E&S CO. THIS DOCUMENT MUST BE RETURNED TO MOUNTAIN HIGH E&S CO. IMMEDIATELY UPON REQUEST.

Customer Drawing, Bulkhead Refill Assembly,  
 AN800-3 Inlet Versions [SCD]

**5IBLT-1022-xx**

DWG REV. **G0**

DWG NUMBER	CAD FILE	INV. PART NUMBER	PROD. NAME
<b>00BLT-1022-xx</b>	<b>00BLT-1022-xx\$G0</b>	<b>00BLT-1022-xx</b>	<b>AN800-B-H-Fill-xxxx</b>
DWG SCALE	DWG SHEET	1 OF 1	DWG SIZE
			<b>A</b> 11x8½

Insert #: 5IBLT-1022-xx