

4

3

2

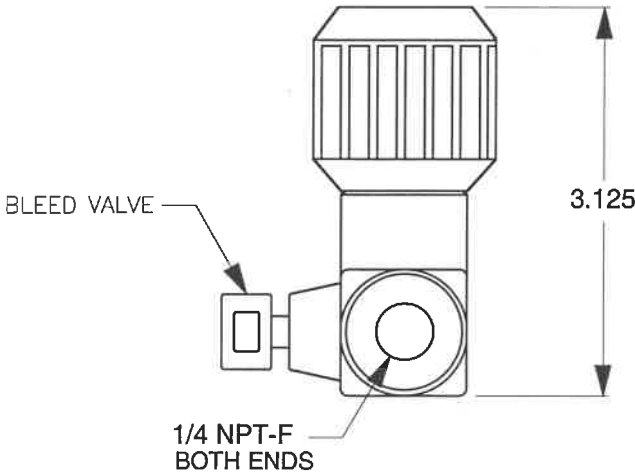
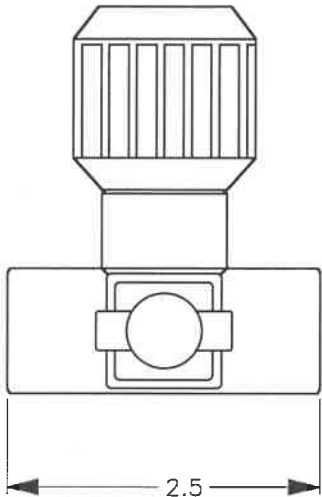
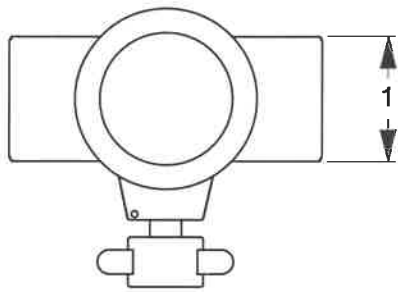
1

- NOTES:**
 1. MATERIAL: BRASS
 2. FINISH: NICKEL PLATE
 3. SERVICE PRESSURE: 6,000 PSI
 4. CLEAN: PER ESR-008
 5. MARKING: UNLESS OTHERWISE SPECIFIED, PER IN-HOUSE DOCUMENT ESR-005

REMOVE ALL BURRS & SHARP EDGES

REVISION HISTORY			
REV	DATE	E. C. O. / APPR.	NOTES
IR	03-02-04	SBW	INITIAL RELEASE

THIS DOCUMENT AND ALL TECHNICAL DATA HEREON DISCLOSED ARE PROPERTY OF MOUNTAIN HIGH E&S CO. AND SHALL NOT BE USED, RELEASED OR DISCLOSED IN WHOLE OR PART WITHOUT WRITTEN PERMISSION FROM MOUNTAIN HIGH E&S CO. THIS DOCUMENT MUST BE RETURNED TO MOUNTAIN HIGH E&S CO. IMMEDIATELY UPON REQUEST.



D

D

C

C

B

B

A

A

4

3

2

1

THIRD ANGLE PROJECTION.		[KC] 00	NUMBER OF KEY CHARACTERISTICS IN THIS DRAWING / DOCUMENT PER MH DOC: ESR-001
		MH	MOUNTAIN HIGH E&S CO. REDMOND, OR. USA
ISSUED: SBW	03-02-04	MAIN TRANSFER VALVE w/BLEED	
DRAWN: SBW	03-02-04	DWG. #: 00HDW-0397-02	REV. IR
ENGINEER:	DATE	SIZE A	SHEET 1 OF 1
APPR:	DATE	DO NOT SCALE DRAWING	