

1

2

3

4

A

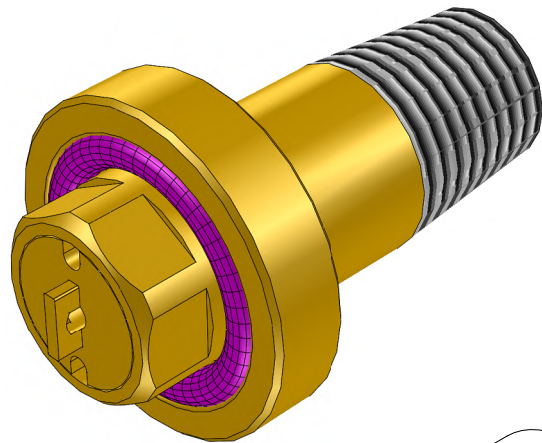
A

B

B

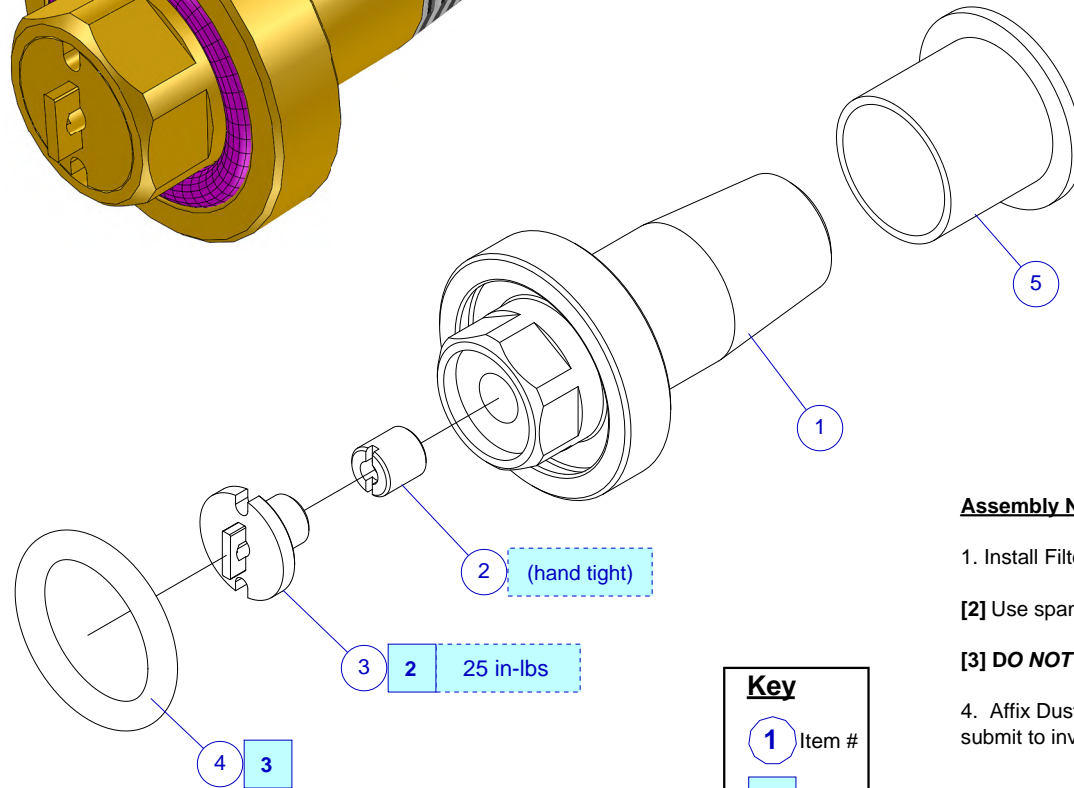
C

C



## REVISION HISTORY

| REV | ECO NO.<br>YYYY-MM-DD   | NAME | NOTES  |
|-----|-------------------------|------|--|
| -0  | 2013-020A<br>2013-10-25 | SGO  | INITIAL RELEASE  |
| -1  | 2017-035<br>2017-11-27  | SGO  | Redraw with minor changes; Add "Do Not Lube" note for O-ring; Add torque value for adapter |

**Assembly Notes:**

1. Install Filter (Item 2) into Nipple (1) as indicated

[2] Use spanner tool T00MH-0002-05 to torque Adapter (3) as indicated

[3] **DO NOT LUBE** O-ring (4); Install O-ring (4) onto Nipple (1)

4. Affix Dust Cap (5); Bag completed assembly per ESR-008 in 4 mil bag with p/n tag and submit to inventory

**Key**

1 Item #

1 Note

Torque

UNLESS OTHERWISE SPECIFIED, DIMENSIONS ARE IN INCHES. TOLERANCES ARE:

0.X ±0.015

0.XX ±0.010

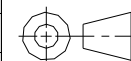
0.XXX ±0.005

ANGLES ±3°

FRACTIONS ±1/64

INTERPRET GD&T PER ASME 14.5

THIRD ANGLE PROJECTION



DO NOT SCALE DRAWING

DRAWN SGO  
2013-10-02

CHECKED MDG  
2013-10-24

ENGINEER PLM  
2013-10-24

APPROVED HBS  
2013-10-24

**MH**

**MOUNTAIN HIGH E&S CO.  
REDMOND, OR. USA**

THIS DOCUMENT AND ALL TECHNICAL DATA HEREON DISCLOSED ARE PROPERTY OF MOUNTAIN HIGH E&S CO. AND SHALL NOT BE USED, RELEASED OR DISCLOSED IN WHOLE OR PART WITHOUT WRITTEN PERMISSION FROM MOUNTAIN HIGH E&S CO. THIS DOCUMENT MUST BE RETURNED TO MOUNTAIN HIGH E&S CO. IMMEDIATELY UPON REQUEST.

DWG TITLE

**Transfiller Nipple Assy,  
DIN-477-9N to 1/4-18 MNPT, Euro-Adapter**

DWG NUMBER

**00HDW-0373-02**

DWG REV. **-1**

CAD FILE

00HDW-0373-02\$-1

INV. PART NUMBER

00HDW-0373-02

PROD. NAME

DWG FORMAT:  
ESR-002 Rev H [20]

DWG SCALE

DWG SHEET

1 OF 1

DWG SIZE **A**  
11x8½

| Item | Qty | Part Number   | Rev | Description                                       |
|------|-----|---------------|-----|---|
| 1    | 1   | 00HDW-0373-00 | -   | Nipple, DIN-477-9N to 1/4 NPT-M                   |
| 2    | 1   | 09025-0024-00 |     | Filter, Threaded Insert, #10-32 x .195            |
| 3    | 1   | 09056-0004-05 | -   | DIN-477-9 Euro-Adapter Index Tip, #10-32 Threaded |
| 4    | 1   | 09001-3113-70 |     | O-ring, EPDM, 2-113, E70                          |
| 5    | 1   |               |     | Dust Cap, 1/2 id [1/4 NPT]                        |

1

2

3

4

D

D