

1

2

3

4

REVISION HISTORY			
REV	ECO NO. YYYY-MM-D	NAME	NOTES
-	2024-047 2024-08-21	KQM	Initial Release

NOTES:

- ALL DIMENSIONS ARE IN INCHES.
- SEE RCV/RCR MANUAL FOR DETAILED OPERATION AND INSTALLATION SPECIFICATIONS.
- SEE RCV/RCR MANUAL FOR WIRING SCHEMATICS.
- BOTH ITEM LOCATIONS IN "TANK" PORTS ARE INTERCHANGEABLE WITH EACH OTHER. STOCK CONFIGURATION IS SHOWN.
- ALL THREE ITEM LOCATIONS IN "VALVE" PORTS ARE INTERCHANGEABLE WITH EACH OTHER. STOCK CONFIGURATION IS SHOWN.

A

A

B

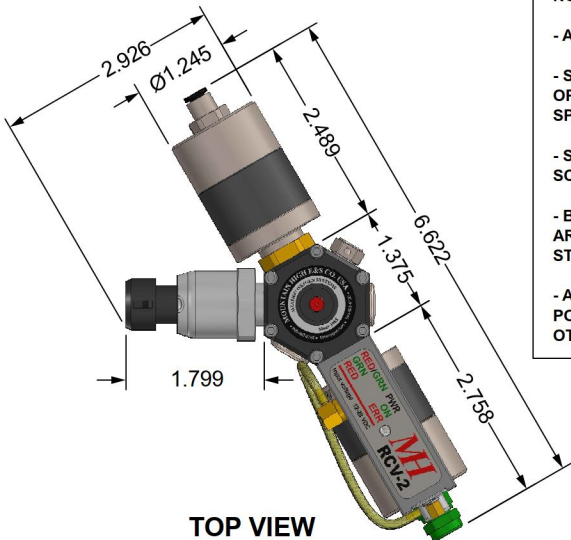
B

C

C

D

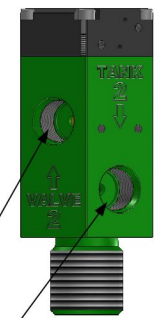
D



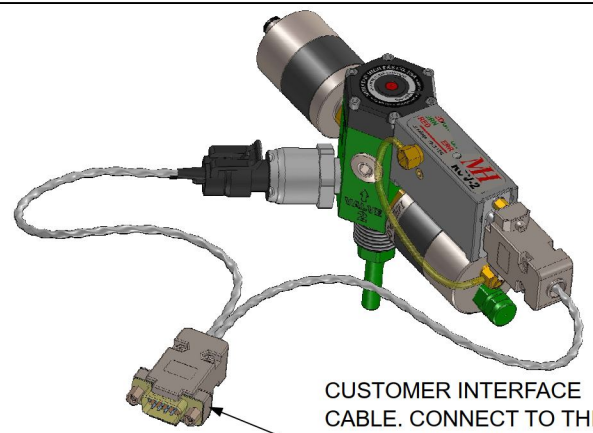
TOP VIEW

HIGH-PRESSURE VALVED/SWITCHED "VALVE" PORTS, (3) SAE-4

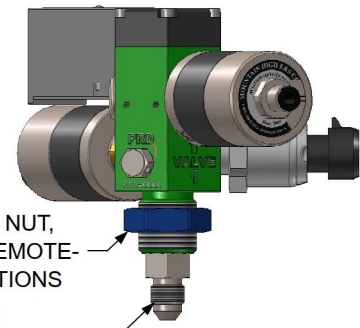
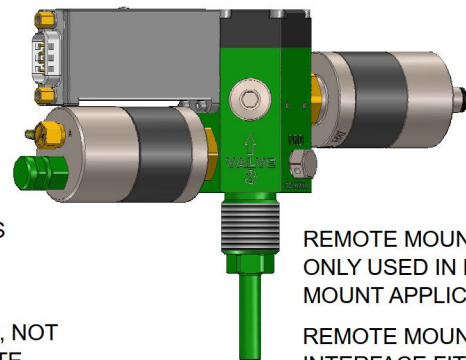
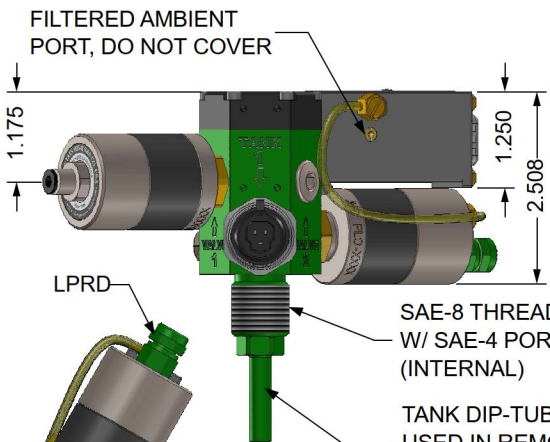
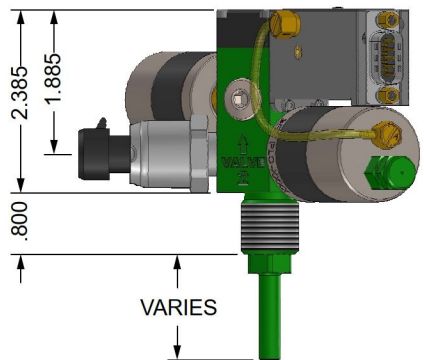
HIGH-PRESSURE UNVALVED/ALWAYS ON "TANK" PORTS, (2) SAE-4



RCV BODY ONLY VIEW



CUSTOMER INTERFACE CABLE. CONNECT TO THIS CABLE CUSTOMER END ONLY, DO NOT INTERFACE DIRECTLY WITH THE DE-09 ON THE RCV MANIFOLD



BOTTOM VIEW

PRESSURE SENDING UNIT. ALLOW EXTRA SPACE ON THIS SIDE TO MAKE ROOM FOR CUSTOMER INTERFACE CABLE

6MM ONE-TOUCH FITTING (MAIN O2 OUT)

UNLESS OTHERWISE SPECIFIED, DIMENSIONS ARE IN INCHES. DIMENSIONS IN [] ARE MILLIMETERS (REF)

TOLERANCES ARE:
 0.X ±0.015 ANGLES ±3°
 0.XX ±0.010 FRACTIONS ±1/64
 0.XXX ±0.005

INTERPRET GD&T PER ASME 14.5

MH MOUNTAIN HIGH E&S CO. REDMOND, OR. USA

THIS DOCUMENT AND ALL TECHNICAL DATA HEREON DISCLOSED ARE PROPERTY OF MOUNTAIN HIGH E&S CO. AND SHALL NOT BE USED, RELEASED OR DISCLOSED IN WHOLE OR PART WITHOUT WRITTEN PERMISSION FROM MOUNTAIN HIGH E&S CO. THIS DOCUMENT MUST BE RETURNED TO MOUNTAIN HIGH E&S CO. IMMEDIATELY UPON REQUEST.

THIRD ANGLE PROJECTION	DRAWN	KQM	DOC. TITLE		RCV/RCR Standard Config Form Factor
	CHECKED	EAM	DOC. NUMBER		
DO NOT SCALE DRAWING	ENGINEER	JB	SRC FILE	5RCVR-080-000\$-	INV. PART NUMBER
	APPROVED	HBS	DWG FORMAT:	ESR-002 Rev H [27]	DWG SCALE
			DWG SCALE	1:2.5	DWG SHEET
			DWG SHEET	1 OF 1	DWG SIZE
					A
					11x8½

1

2

3

4