

4

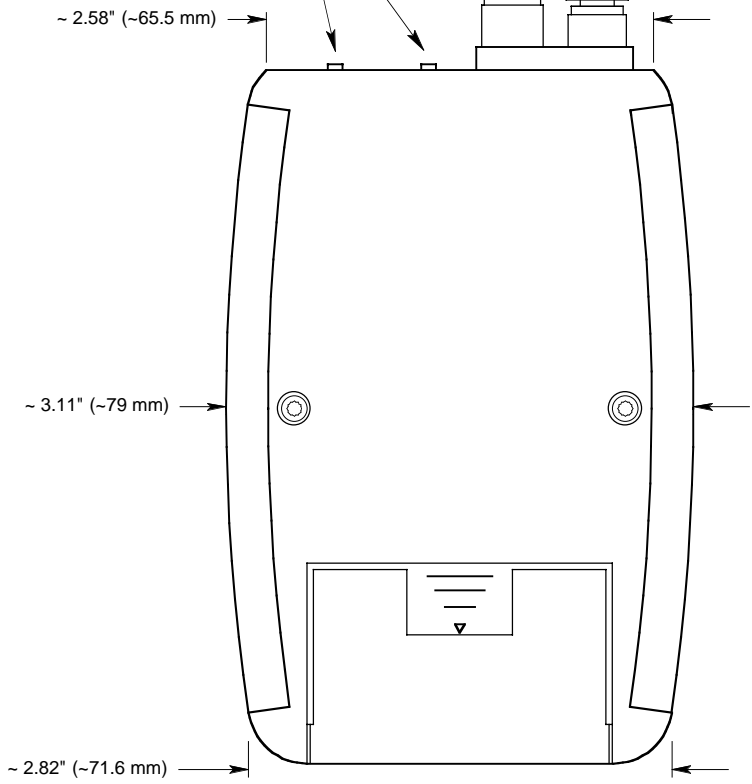
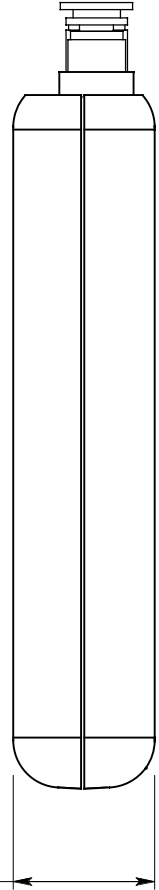
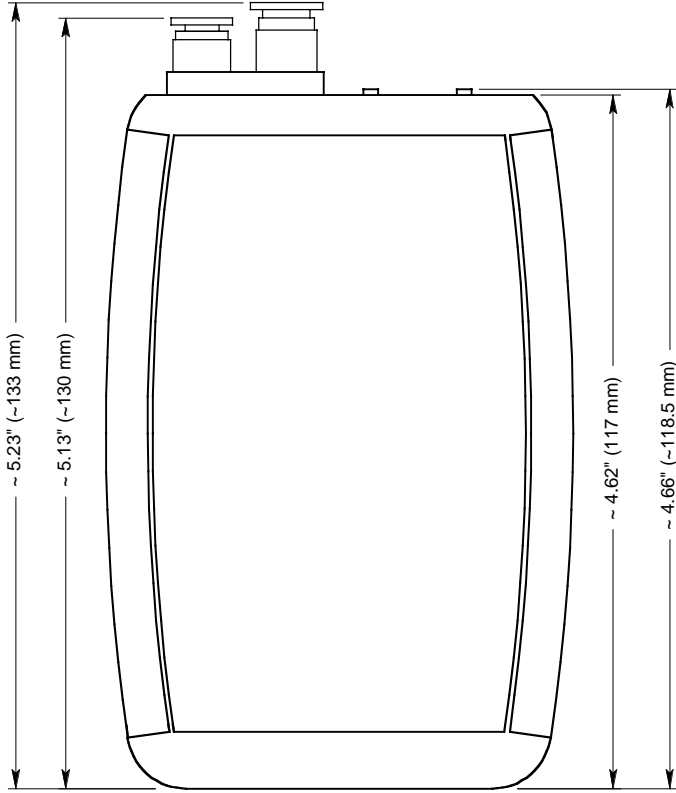
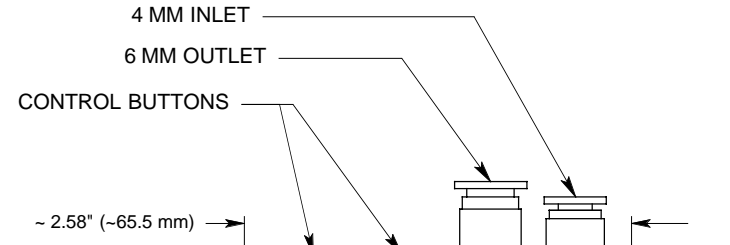
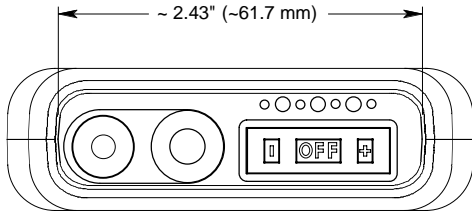
3

2

1

REVISION HISTORY

REV	DA-MO-YR	E. C. O. / APPR.	NOTES
-	06-02-05	PLM	INITIAL RELEASE



D

D

C

C

B

B

A

A

4

3

2

1

THIRD ANGLE PROJECTION [KC] NUMBER OF KEY CHARACTERISTICS IN THIS DRAWING / DOCUMENT
 00 PER MH DOC: ESR-001
 MOUNTAIN HIGH E&S CO. REDMOND, OR. USA

ORIG:	PLM	06-02-05	02D1 DIMS & OUT LINE
DRWN:	PLM	06-02-05	DWG. #:02D1-01XX-00
ENG:	PLM	06-02-05	REV -
APPR:	NAME	DA-MO-YR	SIZE A SHEET 1 OF 1 DO NOT SCALE DRAWING