

p/n: **00CMB-2000-00**

O2D2 Custom Mounting Bracket



Aviation Oxygen Systems

MOUNTAIN HIGH
Equipment & Supply Company

Date: _____

Cleaned for oxygen service per ESR-008

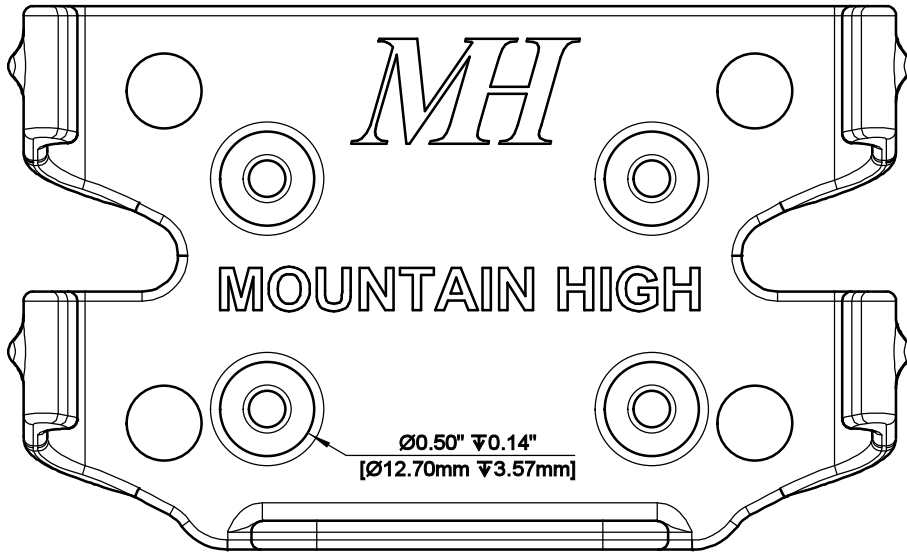
Notes:

Views are 1:1 (Actual Size). The front or rear view may be cut out and used as a mounting template.

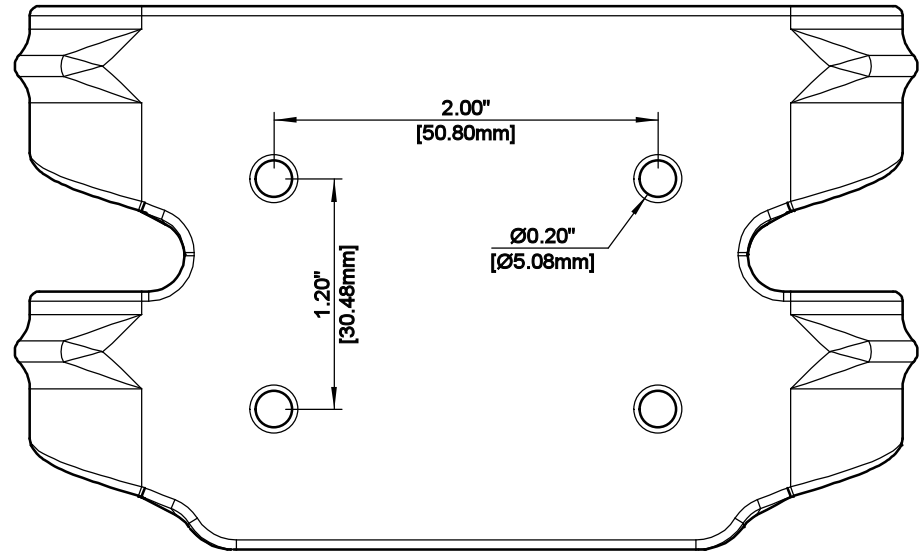
The O2D2 may be mounted in either orientation (as shown in mounting examples).

REVISION HISTORY

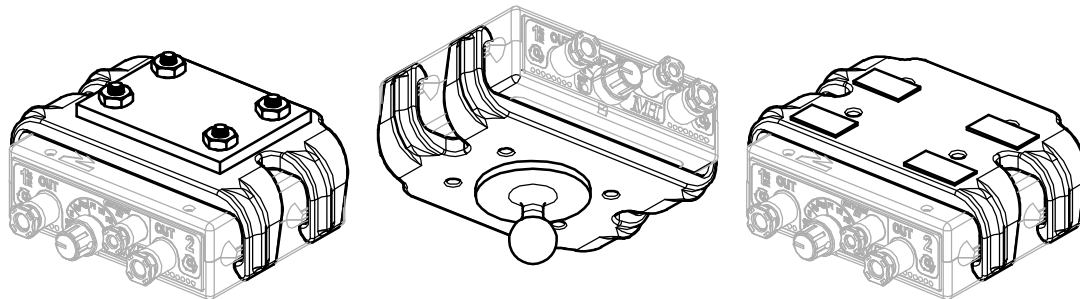
REV	ECO NO. YYYY-MM-DD	NAME	NOTES
-	2026-009 2026-03-03	KQM	INITIAL RELEASE
A	2026-011 2026-03-31	KQM	UPDATED MOUNTING OPTIONS



FRONT (Actual Size)



REAR (Actual Size)



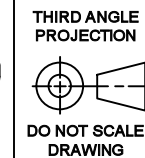
DIRECT MOUNT TO CUSTOMER AIRCRAFT VIA (4) #10 MACHINE SCREWS (NYLOC NUTS RECOMMENDED)

ADJUSTABLE BALL-MOUNT (CUSTOMER PROVIDED, NOT INCLUDED)

**DUAL-LOCK ADHESIVE STRIPS (NOT INCLUDED)
P/N 000EM-0008-00**

MOUNTING EXAMPLES

MATERIAL	FINISH	ADDITIONAL TREATMENT
Nylon, Grey	None	CLEAN PER ESR-008



**MH MOUNTAIN HIGH E&S CO.
REDMOND, OR. USA**

THIS DOCUMENT AND ALL TECHNICAL DATA HEREON DISCLOSED ARE PROPERTY OF MOUNTAIN HIGH E&S CO. AND SHALL NOT BE USED, RELEASED OR DISCLOSED IN WHOLE OR PART WITHOUT WRITTEN PERMISSION FROM MOUNTAIN HIGH E&S CO. THIS DOCUMENT MUST BE RETURNED TO MOUNTAIN HIGH E&S CO. IMMEDIATELY UPON REQUEST.

THIRD ANGLE PROJECTION	MH MOUNTAIN HIGH E&S CO. REDMOND, OR. USA		
DO NOT SCALE DRAWING	THIS DOCUMENT AND ALL TECHNICAL DATA HEREON DISCLOSED ARE PROPERTY OF MOUNTAIN HIGH E&S CO. AND SHALL NOT BE USED, RELEASED OR DISCLOSED IN WHOLE OR PART WITHOUT WRITTEN PERMISSION FROM MOUNTAIN HIGH E&S CO. THIS DOCUMENT MUST BE RETURNED TO MOUNTAIN HIGH E&S CO. IMMEDIATELY UPON REQUEST.		
DRAWN 2026-03-04	DOC TITLE Custom O2D2 Mounting Bracket		
CHECKED 2026-03-04	EAM NUMBER 51CMB-2000-00		DWG REV. A
ENGINEER 2026-03-04	SRCFILE 00CMB-2000-00\$	INV. PART NUMBER 00CMB-2000-00	MODEL: O2D2
APPROVED 2026-03-04	DWG FORMAT: ESR-002 Rev H [27]	DWG SCALE 1:1	DWG SHEET 1 OF 1 DWG SIZE A 11x8½

Insert #: 51CMB-2000-00