

REF	1096 -10	1096 -14	Description
1	1	1	Diffuser
2	1	1	Inlet Body
3	1	1	Inlet/Guide
4	1	1	O-Ring (SAE-4)
5	1	1	O-Ring
6	1	1	Inlet Seat
7	1	1	Filter Disc
8	1	1	Setscrew
9	A/R	A/R	Shim, .010
10	A/R	A/R	Shim, .020
11	A/R	A/R	Shim, .030
12	2	2	Spring
13	2	2	Piston
14	2	2	O-Ring
15	2	2	O-Ring
16	1	1	Puck (HP)
17	1		Outlet Body, Radial
18	1		Label
19	1		QD Outlet Fitting
20		1	Outlet Body, FPR
21		1	O-Ring
22		1	FPR Outlet Cap
23	1	1	Center Body, 2-Stage Reg
24	1	1	Puck (LP)

**00REG-1096-10**  
(Radial CPC Outlet)

**00REG-1096-14**  
(4x Axial CPC Outlets)

**GENERAL SPECIFICATIONS**

Material: UNS C36000 (CDA-360) Brass  
UNS A96061 (6061-T6) Aluminum

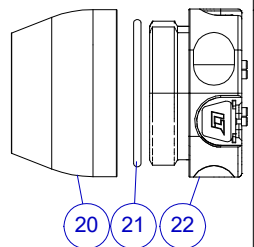
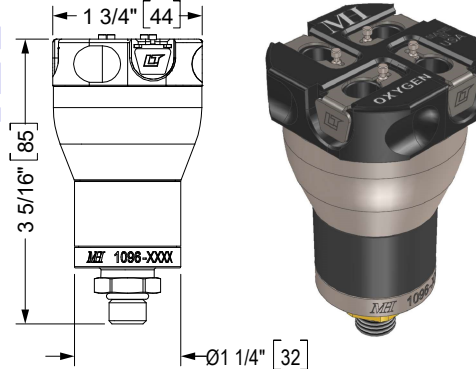
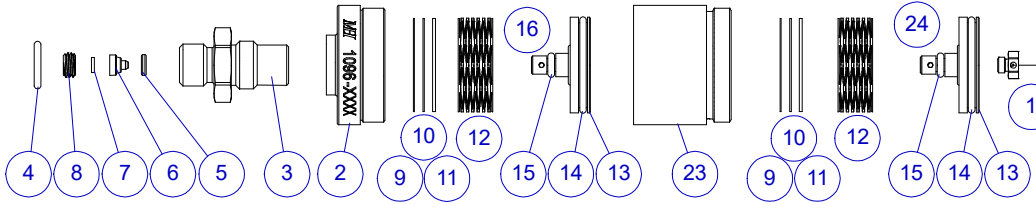
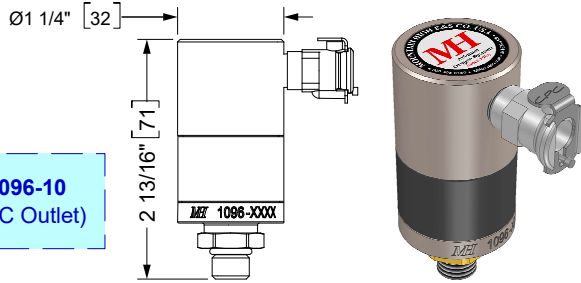
Inlet Pressure Rating: 3000 PSI MAX  
Regulated Outlet: 16 ± 2 PSI (Dynamic) (NOM 1 Bar)  
20 ± 2 PSI (Static)

Average Flow Rate: 40 L/min (AVG)  
Temperature Range: -50°F to +130°F [-45°C to +55°C]

Inlet Fitting: SAE-4M  
Replacement O-ring: MH p/n 09001-1904-70 (SAE-4, Item #4)

<b>1096-10:</b>	1/8-27 NPT x 5/16 CPC Socket	3.8 oz [108 g]
<b>1096-14:</b>	4x 5/16 CPC Sockets	5.9 oz [167 g]

REV	ECO	Release	Drawn	REVISION HISTORY
-3	2019-008	2019-02-14	SGO	Customer Drawing
-4	2024-026	6/13/2024	KQM	Part Updates
A	2025-062	12/16/2025	KQM	Part Updates



<small>UNLESS OTHERWISE SPECIFIED, DIMENSIONS ARE IN INCHES. TOLERANCES ARE: 0.X ±0.015 ANGLES ±3° 0.XX ±0.010 FRACTIONS ±1/64 0.XXX ±0.005</small>			
<small>INTERPRET GD&amp;T PER ASME 14.5 63</small>		<small>THIS DOCUMENT AND ALL TECHNICAL DATA HEREON DISCLOSED ARE PROPERTY OF MOUNTAIN HIGH E&amp;S CO. AND SHALL NOT BE USED, RELEASED OR DISCLOSED IN WHOLE OR PART WITHOUT WRITTEN PERMISSION FROM MOUNTAIN HIGH E&amp;S CO. THIS DOCUMENT MUST BE RETURNED TO MOUNTAIN HIGH E&amp;S CO. IMMEDIATELY UPON REQUEST.</small>	
<small>THIRD ANGLE PROJECTION</small>		<b>Regulator, 2-Stage, No Gauge, SAE-4M x CPC Outlet [SCD]</b>	
<small>DRAWN SGO 2018-12-18</small>		<b>DWG TITLE</b>	
<small>CHECKED</small>		<b>DWG NUMBER</b>	
<small>ENGINEER</small>		<b>5SREG-1096-1x</b>	
<small>APPROVED</small>		<small>DWG FORMAT: ESR-002 Rev H [20]</small>	
<small>DO NOT SCALE DRAWING</small>		<small>DWG SCALE</small>	
<small>CAD FILE 00REG-1092\1096-xx\$A</small>		<small>INV. PART NUMBER 00REG-1096-10 00REG-1096-14</small>	
<small>MODEL #: 00REG-320-210 00REG-320-214</small>		<small>DWG SHEET 1 OF 1</small>	
<small>DWG SIZE 11x8 1/2</small>		<small>DWG REV. A</small>	