

1

2

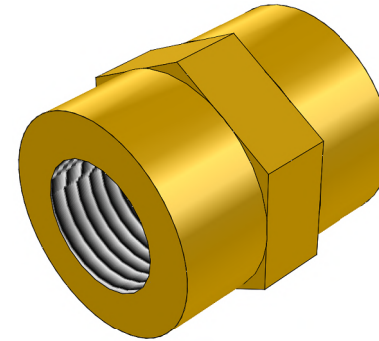
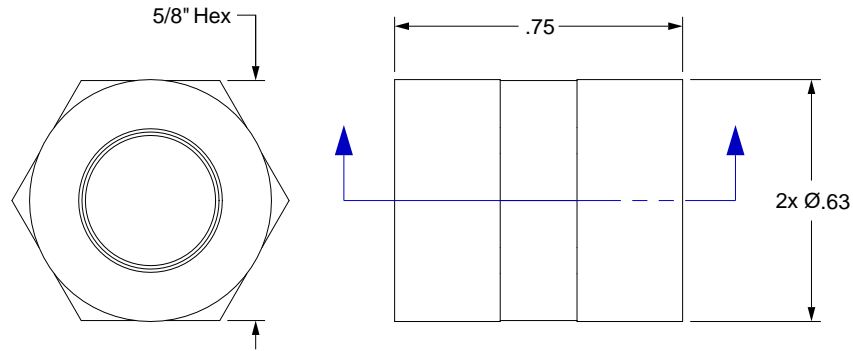
3

4

REV	ECO	Release	Drawn	REVISION HISTORY
-0	2016-057	2016-11-10	SGO	Customer SCD Drawing

A

A

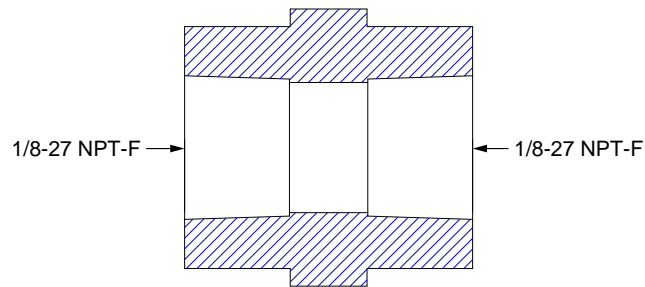


B

B

C

C



### GENERAL SPECIFICATIONS

Material:	CA360 Brass
Weight:	0.7 oz [20 g]
HPD Pressure Rating:	3300 PSI (Dynamic)
Temperature Range:	-50°F to +130°F [-45°C to +55°C]
Clean:	For Oxygen Service

D

D

UNLESS OTHERWISE SPECIFIED, DIMENSIONS ARE IN INCHES. TOLERANCES ARE:

0.X ±0.015  
 0.XX ±0.010  
 0.XXX ±0.005

ANGLES ±3°  
 FRACTIONS ±1/64

INTERPRET GD&T PER ASME 14.5

63

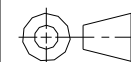
**MOUNTAIN HIGH E&S CO.**  
**REDMOND, OR. USA**

THIS DOCUMENT AND ALL TECHNICAL DATA HEREON DISCLOSED ARE PROPERTY OF MOUNTAIN HIGH E&S CO. AND SHALL NOT BE USED, RELEASED OR DISCLOSED IN WHOLE OR PART WITHOUT WRITTEN PERMISSION FROM MOUNTAIN HIGH E&S CO. THIS DOCUMENT MUST BE RETURNED TO MOUNTAIN HIGH E&S CO. IMMEDIATELY UPON REQUEST.

THIRD ANGLE PROJECTION

DRAWN SGO  
 2016-11-09

DWG TITLE  
**Coupling, Female,  
 1/8-27 NPT x 1/8-27 NPT, Brass**



CHECKED  
 ENGINEER

DWG NUMBER  
**5SHDW-306-000**

DWG REV. **-0**

DO NOT SCALE DRAWING

APPROVED

CAD FILE  
 INV. PART NUMBER 000HDW-0306-00  
 PRODUCT NAME

DWG FORMAT: ESR-002 Rev H [17]  
 DWG SCALE  
 DWG SHEET 1 OF 1  
 DWG SIZE A 11x8½

1

2

3

4