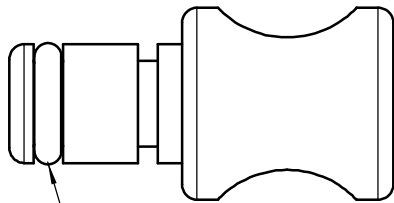
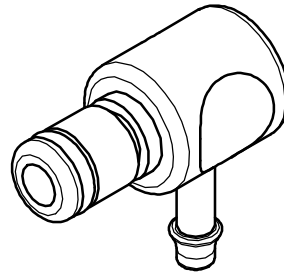


REVISION HISTORY			
REV	ECO NO. YYYY-MM-DD	NAME	NOTES
-	2026-013 2026-04-15	KQM	Initial Release



TOP

-008 O-Ring (Replacement p/n 09001-3008-70)



3D VIEW

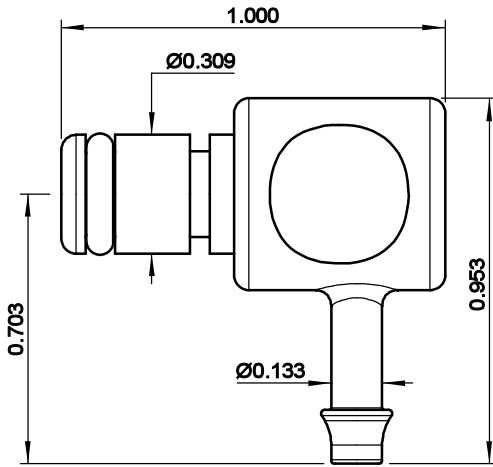
GENERAL SPECIFICATIONS:

Material: UNS A96061 (6061-T6) Anodized Aluminum
Weight: 0.176 oz [4.99 g]

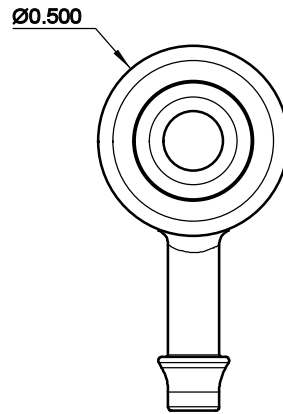
Inlet: CPC
Outlet: 1/8" Tube Barb

Pressure Rating: 100 PSI
Temp Range: -50°F to +130°F [-45°C to +55°C]

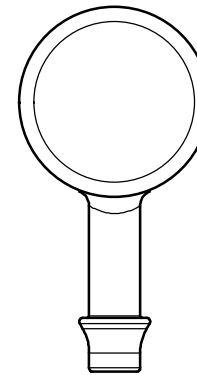
Clean: For Oxygen Service per ESR-008



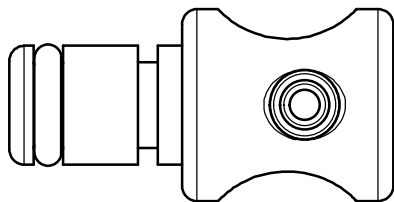
LEFT/RIGHT



FRONT



BACK



BOTTOM

UNLESS OTHERWISE SPECIFIED,
 DIMENSIONS ARE IN INCHES.
 DIMENSIONS IN [] ARE MILLIMETERS (REF)
 TOLERANCES ARE:
 0.X ±0.015 ANGLES ± 3°
 0.XX ±0.010 FRACTIONS ± 1/64
 0.XXX ±0.005
 INTERPRET GD&T PER ASME 14.5

MH MOUNTAIN HIGH E&S CO.
REDMOND, OR. USA

THIS DOCUMENT AND ALL TECHNICAL DATA HEREON DISCLOSED ARE PROPERTY OF MOUNTAIN HIGH E&S CO. AND SHALL NOT BE USED, RELEASED OR DISCLOSED IN WHOLE OR PART WITHOUT WRITTEN PERMISSION FROM MOUNTAIN HIGH E&S CO. THIS DOCUMENT MUST BE RETURNED TO MOUNTAIN HIGH E&S CO. IMMEDIATELY UPON REQUEST.

THIRD ANGLE PROJECTION	DRAWN KQM 2026-04-15	DOC TITLE MH CPC Elbow Fitting, (SCD)
CHECKED EAM 2026-04-16	DOC NUMBER 5SCPC-028-002	DWG REV. -
ENGINEER JB 2026-04-16	INV. PART NUMBER SRCFILE00CPC-0028-0x\$	MODEL: 00CPC-0028-02
DO NOT SCALE DRAWING	APPROVED HBS 2026-04-16	DWG FORMAT: ESR-002 Rev H [27]
	DWG SCALE 2:1	DWG SHEET 1 OF 1
		DWG SIZE A 11x8½

Insert#: 5ICPC-0028-02