

**p/n: 00GSE-1046-00**

Transfill Adapter, CGA-540N x JIC-4M

Date:

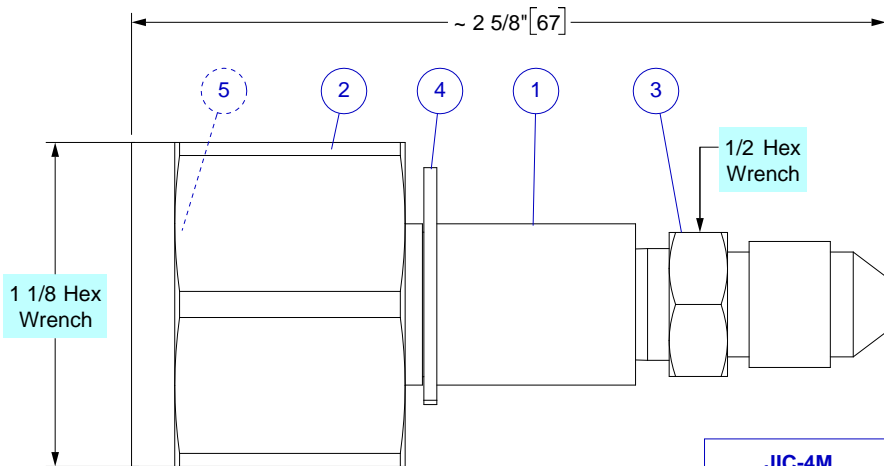
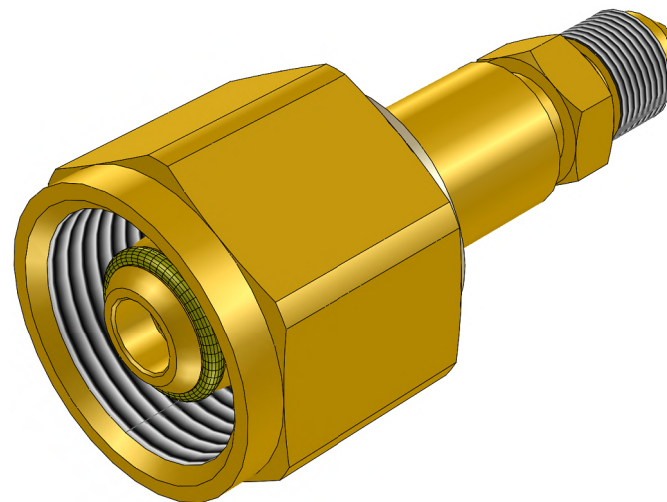
Cleaned for Oxygen Service per MH ESR-008D

**MH**

Aviation Oxygen Systems

**MOUNTAIN HIGH**  
Equipment & Supply Company

REV	ECO	Release	Drawn	REVISION HISTORY
-1	2017-027	2017-10-05	SGO	Customer Drawing



**CGA-540N**  
**.903-14 NGO-RH**

Item #5 O-Ring  
Replacement p/n:  
09001-0011-90

**JIC-4M**  
**7/16-20 UNF-2A**

**GENERAL SPECIFICATIONS**

**Material:** UNS C36000 (CDA-360) Brass  
**Weight:** 5.3 oz [150 g]  
**Operating Pressure:** 3000 PSI  
**Temp Range:** -50°F to +130°F [-45°C to +55°C]  
**Clean:** For Oxygen Service

Ref	Qty	Description
1	1	CGA Nipple
2	1	CGA Nut
3	1	Adapter
4	1	Retaining Ring
5	1	O-Ring

UNLESS OTHERWISE SPECIFIED, DIMENSIONS ARE IN INCHES. TOLERANCES ARE:  
 0.X ±0.015  
 0.XX ±0.010  
 0.XXX ±0.005  
 ANGLES ± 3°  
 FRACTIONS ± 1/64  
 INTERPRET GD&T PER ASME 14.5

**MH MOUNTAIN HIGH E&S CO.**  
**REDMOND, OR. USA**

THIS DOCUMENT AND ALL TECHNICAL DATA HEREON DISCLOSED ARE PROPERTY OF MOUNTAIN HIGH E&S CO. AND SHALL NOT BE USED, RELEASED OR DISCLOSED IN WHOLE OR PART WITHOUT WRITTEN PERMISSION FROM MOUNTAIN HIGH E&S CO. THIS DOCUMENT MUST BE RETURNED TO MOUNTAIN HIGH E&S CO. IMMEDIATELY UPON REQUEST.

THIRD ANGLE PROJECTION	DRAWN SGO 2017-09-26	Customer Drawing, Transfill Adapter, CGA-540N x JIC-4M [SCD]	
CHECKED	63	DWG NUMBER <b>5SGSE-1046-00</b>	DWG REV. <b>-1</b>
ENGINEER	CAD FILE 00GSE-1046-00\$-1	INV. PART NUMBER 00GSE-1046-00	PROD. NAME TA-540N-JIC4M
APPROVED	DWG FORMAT: ESR-002 Rev H [20]	DWG SCALE	DWG SHEET 1 OF 1 DWG SIZE A 11x8½

Insert #: 5IGSE-1046-00