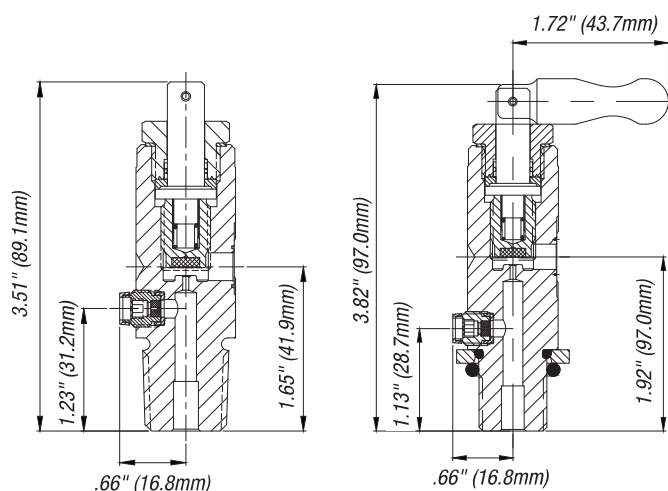


## KVAB Series

### Post Medical Valves



KVAB87044F-XXR

KVAB87054-XXRTG

Post-type medical valves for "F" and "D" type cylinders and used for all CCA-860 yokes.

#### Key Features & Benefits

- Inert PTFE packing provides leak-free stem seal, long cycle life and resistance to corrosion
- Secondary O-ring helps to provide a secure seal under vacuum purging and low-pressure operation
- Strong, durable body is made from extruded brass rod and coated with a protective chrome finish
- Chamber design protects threads and stem from damage
- Exceptional machining finishes for low-torque sealing and long packing life
- Durable lower plug is made of tough naval brass and coated with PTFE for lubricity
- Copper sealing gasket provides permanent, leak-resistant bonnet seal
- Pressure Relief Device is an integrated assembly to ensure proper assembly and to resist tampering
- Designed for use with all yokes made to CGA 860 drawing specifications
- Available in wrench or toggle type
- Nominal stroke is 1.5 turns, full flow at  $\frac{1}{3}$  turn
- Cleaned for oxygen service and oil free per CGA G-4.1
- For Date Code Tables, see **pages 67–68**

#### Design Specifications

	English	Metric
<b>Maximum Working Pressure</b>	3000 PSI	207 Bar
<b>Burst Pressure</b>	12,000 PSI	827 Bar
<b>Operating Temperature Range</b>	-50° F → +149° F	-45° C → +65° C
<b>Storage Temperature Range</b>	-65° F → +155° F	-54° C → +68° C
<b>Leak Rate Internal/External</b>	1x10 <sup>-3</sup> cc/sec.	1x10 <sup>-3</sup> Bar mL/sec.
<b>Cv Flow Factor</b>	Standard: .102	
<b>Minimum Cycle Life</b>	5000 Cycles	
<b>Opening Torque</b>	8–10 in.-lbs	1–1.1 N-m
<b>Closing Torque</b>	8–10 in.-lbs	1–1.1 N-m
<b>Operating Torque</b>	10–30 in.-lbs	1.1–3.4 N-m
<b>Bonnet Torque</b>	25–30 ft.-lbs.	33.9–40.6 N-m
<b>PRD Torque</b>	50–65 in.-lbs.	5.6–7.3 N-m

#### Standards Conformance

<b>CGA V-9</b>	Standard for Compressed Gas Cylinder Valves
<b>CGA S1.1</b>	Standard for Pressure Relief Devices
<b>CGA V-1</b>	Compressed Gas Cylinder Valve Outlet and Inlet Specifications
<b>A-A-59860</b>	US General Services Administration Standards for Gas Cylinder Valves