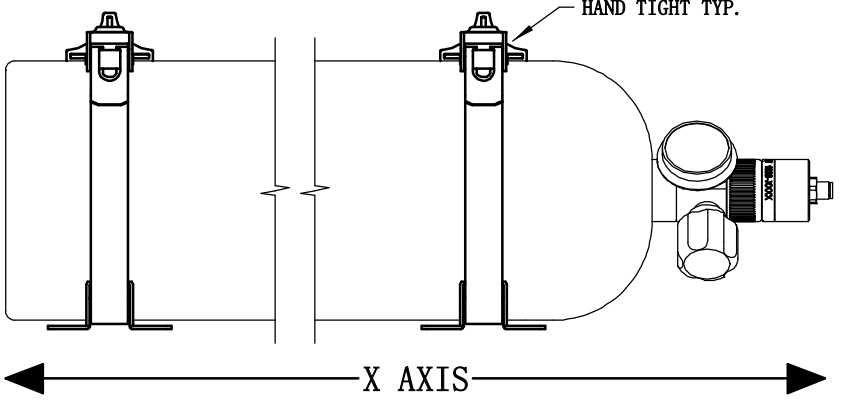
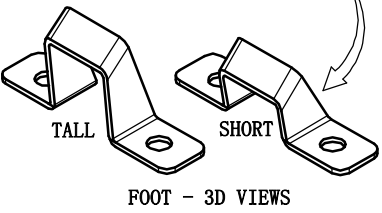
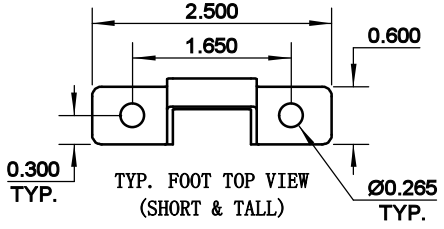
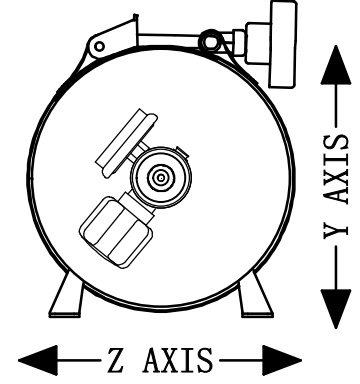
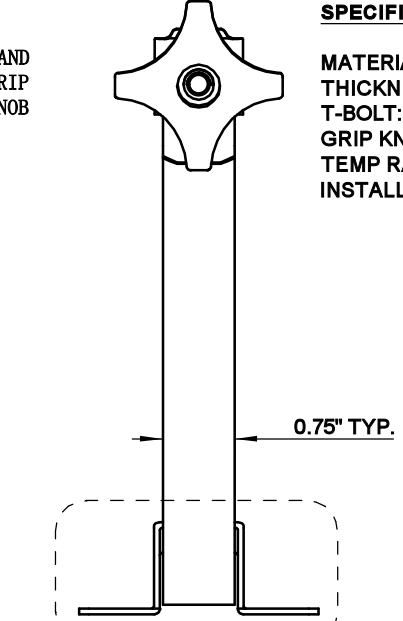
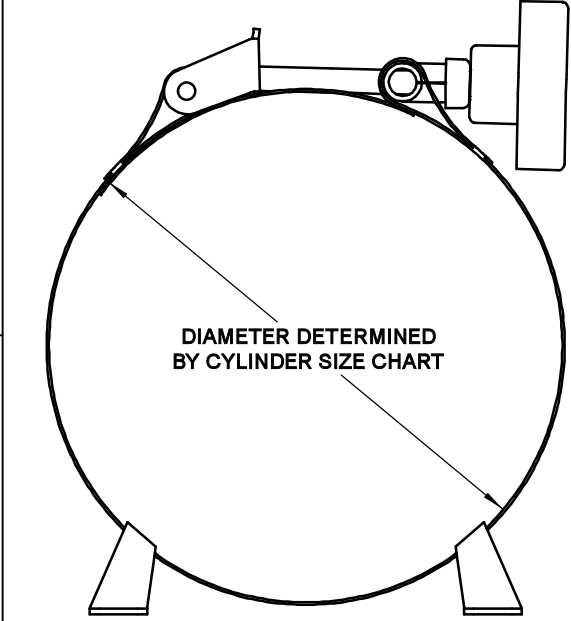


SPECIFICATIONS:

MATERIAL: STAINLESS STEEL
THICKNESS: 0.025" TYP.
T-BOLT: 1/4-28 UNJF 305 STN. STL.
GRIP KNOB: PLASTIC W/ 1/4-28 BRASS INSERT
TEMP RANGE: N/A
INSTALLATION: IAW 14 CFR part 43 & AC 43.13

REVISION HISTORY			
REV	ECO NO. YYYY-MM-DD	NAME	NOTES
A	N/A 2000-04-10	PLM	CHANGED TO NEW FORMAT & ADDRESS
B	N/A 2013-08-27	HBS/PLM	REVISED SELECTION CHART
C	2025-034 2025-01-01	KQM	RE-AUTHORED & REVISED SELECTION CHART
D	2025-045 2025-01-01	KQM	ADDED INSERT NUMBER
E	2026-008 2026-03-03	KQM	CORRECTED MOUNTING BRACKET FOOT SIZE
E1	2026-014 2026-05-07	KQM	Added NORSEE Installation Specification & Weights

NOTICE:
 This "Q" type cylinder hold-down mounting kit (shown) has not been tested, but has been designed to comply or exceed to the objectives of:
 Z Axis:..... Approx. 8 G. sin.
 Y Axis:..... Approx. 6 G. sin.
 X Axis:..... Approx. 2-4 G. sin.
 (dependant upon cylinder type)



	CYLINDER TYPE	BAND INSIDE DIA.	WEIGHT (lbs)	CMK NUMBER	INCLUDES CUSH BAND?	FOOT SIZE
ALUM.	AL-113, 180	3.25	0.64	00CMK-0010-02	NO	SHORT
	AL-248, 415, 682	4.5	0.69	00CMK-0016-02	NO	SHORT
	AL-647	5.25	0.72	00CMK-0004-02	NO	SHORT
COMPOSITE	CFF-480	4.75	0.73	00CMK-0022-03	YES	SHORT
	CFFC-022	5.25	0.80	00CMK-0004-03	YES	SHORT
	CFFC-048	7.12	0.94	00CMK-0006-03	YES	TALL
	KF-011	3.75	0.71	00CMK-0002-03	YES	SHORT
	KF-050	7.12	0.94	00CMK-0006-03	YES	TALL
	KF-077	7.75	0.95	00CMK-0008-03	YES	TALL
	KF-115	9.25	1.04	00CMK-0012-03	YES	TALL

UNLESS OTHERWISE SPECIFIED, DIMENSIONS ARE IN INCHES.
 DIMENSIONS IN [] ARE MILLIMETERS (REF)
 TOLERANCES ARE:
 0.X ±0.015 ANGLES ±3°
 0.XX ±0.010 FRACTIONS ±1/64
 0.XXX ±0.005
 INTERPRET GD&T PER ASME 14.5

MH MOUNTAIN HIGH E&S CO. REDMOND, OR. USA

THIS DOCUMENT AND ALL TECHNICAL DATA HEREON DISCLOSED ARE PROPERTY OF MOUNTAIN HIGH E&S CO. AND SHALL NOT BE USED, RELEASED OR DISCLOSED IN WHOLE OR PART WITHOUT WRITTEN PERMISSION FROM MOUNTAIN HIGH E&S CO. THIS DOCUMENT MUST BE RETURNED TO MOUNTAIN HIGH E&S CO. IMMEDIATELY UPON REQUEST.

THIRD ANGLE PROJECTION	DRAWN KQM 2025-08-07	DOC TITLE Cylinder Mounting Kit Chart (SCD)
	CHECKED EAM 2025-08-08	DOC NUMBER 5SCMK-001-000
	ENGINEER JB 2025-08-08	DWG REV. E1
DO NOT SCALE DRAWING	APPROVED HBS 2025-08-08	SRCFILE 5SCMK-001-000\$E INV. PART NUMBER n/a MODEL: CMK
	DWG FORMAT: ESR-002 Rev H [27]	DWG SCALE NTS DWG SHEET 1 OF 1 DWG SIZE A 11x8 1/2

51CMK-0003-00