

1

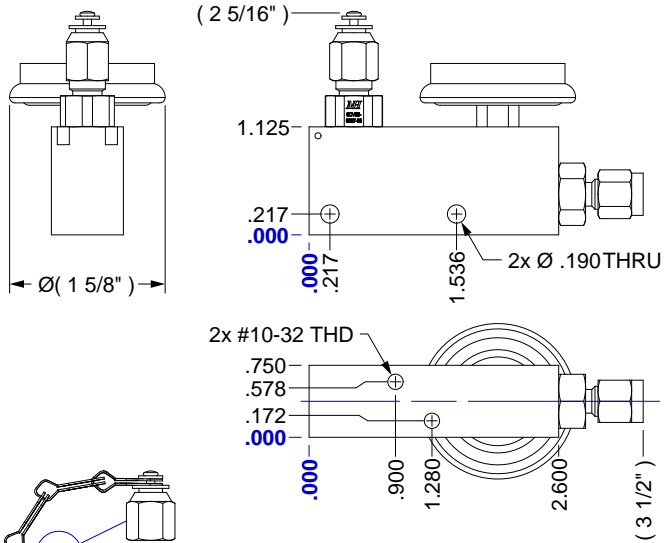
2

3

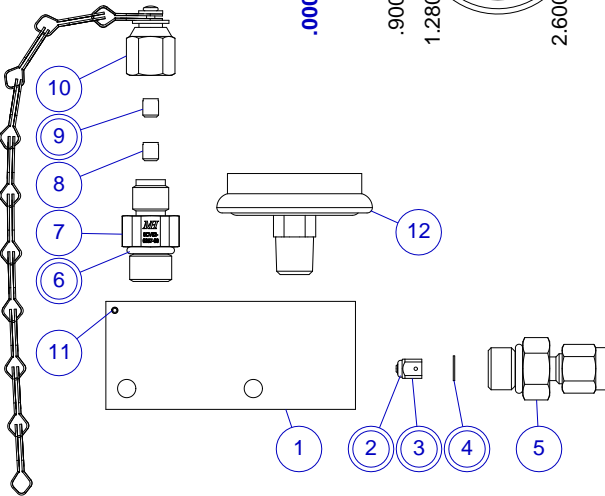
4

REV	ECO	Release	Drawn	REVISION HISTORY
G1	2016-053	2016-11-01	SGO	Customer Drawing

A



B



C

REF	QTY	Part Number	Description
1	1	00MAN-0028-00	Manifold
2	1	09001-3003-70	O-Ring
3	1	0CV02-0201-00	Poppet
4	1	09007-0001-00	Retaining Ring
5	1	00HDW-0108-00	1/8" Tube Adapter
6	1	09001-3904-70	O-Ring
7	1	0CV02-0257-00	AN800-3 [3/8-24] Adapter
8	1	00VEN-0021-00	Orifice
9	1	09150-0803-05	Filter
10	1	0CP01-0100-01	AN800-3 Cap & Chain Assembly
11	1	09040-0003-00	Pin
12	1	00CPG-1010-00	MH-300 Medium Pressure Gauge

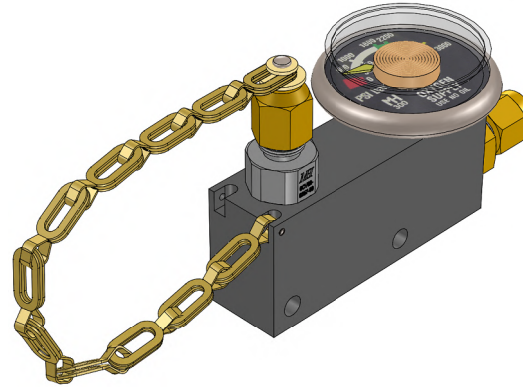
D

1

2

3

Insert #: 5IBLT-1020-00



GENERAL SPECIFICATIONS

Materials:	UNS C36000 (CDA-360) Brass UNS A96061 (6061-T6) Aluminum UNS S30300 (303) Stainless Steel
Weight:	5.8 oz [165 g]
Working Pressure:	3000 PSI
Temp Range:	-50°F to +130°F [-45°C to +55°C]
Clean:	For Oxygen Service
Service Kit:	MH p/n KM100-1010-01 (Items 2, 3, 4, 6, 9)

Installation

- Install Deluxe Fill Station per AC 43.13 Chapter 6
- THRU holes in side of Deluxe Fill Station manifold will accommodate #8 or #10 machine screws. Locate mounting holes per indicated dimensions, or match-drill.
- Threaded holes in bottom of manifold are for #10-32 fasteners. Locate mounting holes per indicated dimensions.
- MH-300 Pressure Gauge is included separately with the Deluxe Fill Station so that the gauge may be installed in the field and oriented as required. Gauge threads are 1/8-27 NPT and come pre-taped as a convenience.
- Leak-check gauge connection with snoop or equivalent
- If gauge is loosened or removed, remove old tape and re-apply new Teflon tape prior to re-installation

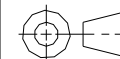
UNLESS OTHERWISE SPECIFIED, DIMENSIONS ARE IN INCHES. TOLERANCES ARE:

0.X ±0.015
0.XX ±0.010
0.XXX ±0.005

ANGLES ± 3°
FRACTIONS ± 1/64

INTERPRET GD&T PER ASME 14.5

THIRD ANGLE PROJECTION



DO NOT SCALE DRAWING

DRAWN SGO
2016-10-14

CHECKED

ENGINEER

APPROVED

MH

**MOUNTAIN HIGH E&S CO.
REDMOND, OR. USA**

THIS DOCUMENT AND ALL TECHNICAL DATA HEREON DISCLOSED ARE PROPERTY OF MOUNTAIN HIGH E&S CO. AND SHALL NOT BE USED, RELEASED OR DISCLOSED IN WHOLE OR PART WITHOUT WRITTEN PERMISSION FROM MOUNTAIN HIGH E&S CO. THIS DOCUMENT MUST BE RETURNED TO MOUNTAIN HIGH E&S CO. IMMEDIATELY UPON REQUEST.

DWG TITLE		Customer Drawing, Deluxe Refill Station [SCD]	
DWG NUMBER		5IBLT-1020-00	
DWG REV.	G1	INV. PART NUMBER	00BLT-1020-00
PRODUCT NAME		Deluxe-Refill-Station	
DWG SCALE	11x8 1/2	DWG SHEET	1 OF 1

A

B

C

D