

REV	ECO	Release	Drawn	REVISION HISTORY
F2	2017-020	2017-06-29	SGO	Customer Drawing

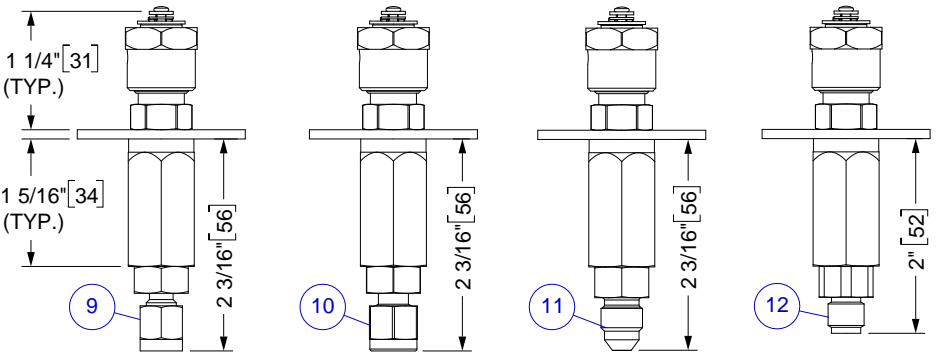
**GENERAL SPECIFICATIONS**

Materials: UNS C36000 (CDA-360) Brass  
 UNS A96061 (6061-T6) Aluminum  
 UNS S30300 (303) Stainless Steel

Weight: 3.8 oz [108 g]  
 Working Pressure: 3000 PSI  
 Temp Range: -50°F to +130°F [-45°C to +55°C]

Clean: For Oxygen Service  
 Service Kit: MH p/n KM100-1010-01 (Items 2, 3, 4, 5, 7)

**Inlet: Scott 9/16-18**



**00BLT-1024-01 1/8" Tube**     **00BLT-1024-02 3/16" Tube**     **00BLT-1024-03 JIC-4**     **00BLT-1024-04 AN800-3**

**Bulkhead Flange**

REF	-01	-02	-03	-04	Description
1	1	1	1	1	Bulkhead Adapter w/ Check-Valve
2	1	1	1	1	O-Ring
3	1	1	1	1	Poppet
4	1	1	1	1	Retaining Ring
5	1	1	1	2	O-Ring
6	1	1	1	1	Scott 9/16-18 Adapter
7	1	1	1	1	Filter
8	1	1	1	1	Cap & Chain Assembly, Scott 9/16-18
9	1				1/8" Tube Adapter
10		1			3/16" Tube Adapter
11			1		JIC-4 37° Flare Adapter
12				1	AN800-3 [3/8-24] Adapter

<small>UNLESS OTHERWISE SPECIFIED, DIMENSIONS ARE IN INCHES. TOLERANCES ARE:          0.X ±0.015          0.XX ±0.010          0.XXX ±0.005</small>		<small>ANGLES ±3°          FRACTIONS ±1/64</small>		<b>MOUNTAIN HIGH E&amp;S CO.</b> <b>REDMOND, OR. USA</b>	
<small>INTERPRET GD&amp;T PER ASME 14.5</small>		<small>THIS DOCUMENT AND ALL TECHNICAL DATA HEREON DISCLOSED ARE PROPERTY OF MOUNTAIN HIGH E&amp;S CO. AND SHALL NOT BE USED, RELEASED OR DISCLOSED IN WHOLE OR PART WITHOUT WRITTEN PERMISSION FROM MOUNTAIN HIGH E&amp;S CO. THIS DOCUMENT MUST BE RETURNED TO MOUNTAIN HIGH E&amp;S CO. IMMEDIATELY UPON REQUEST.</small>			
<small>THIRD ANGLE PROJECTION</small>		<small>DRAWN SGO          2013-07-30</small>		<b>Customer Drawing, Bulkhead Refill Assy,          Scott 9/16-18 Inlet Version Matrix [SCD]</b>	
		<small>CHECKED</small>		<b>DWG NUMBER 5IBLT-1024-xx</b>	
<small>DO NOT SCALE DRAWING</small>		<small>ENGINEER</small>		<small>DWG REV. <b>F2</b></small>	
<small>APPROVED</small>		<small>CAD FILE 00BLT-1024-xx\$F2</small>		<small>INV. PART NUMBER 00BLT-1024-xx</small>	
<small>DWG FORMAT: ESR-002 Rev H [17]</small>		<small>DWG SCALE</small>		<small>PROD. NAME Scott-B-H-Fill-xxxx</small>	
<small>DWG SHEET 1 OF 1</small>		<small>DWG SIZE 11x8½</small>		<small>DWG SIZE <b>A</b></small>	

Insert #: 5IBLT-1024-xx