

REV	ECO	Release	Drawn	REVISION HISTORY
F1	2016-053	2016-11-01	SGO	Customer Drawing

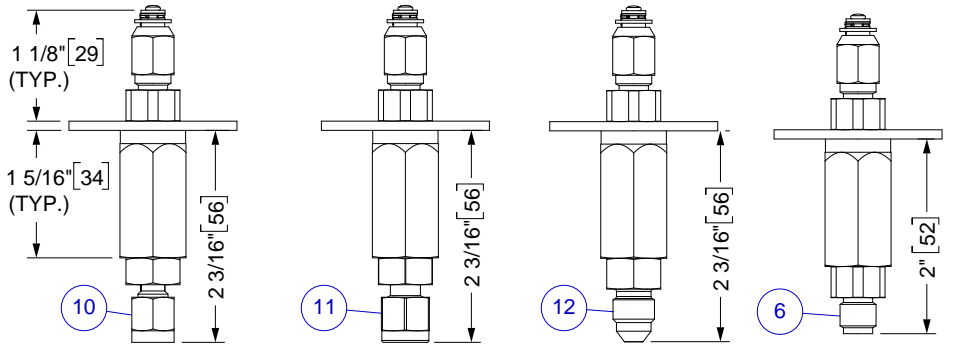
GENERAL SPECIFICATIONS

Materials: UNS C36000 (CDA-360) Brass
 UNS A96061 (6061-T6) Aluminum
 UNS S30300 (303) Stainless Steel

Weight: 3.0 oz [85 g]
 Working Pressure: 3000 PSI
 Temp Range: -50°F to +130°F [-45°C to +55°C]

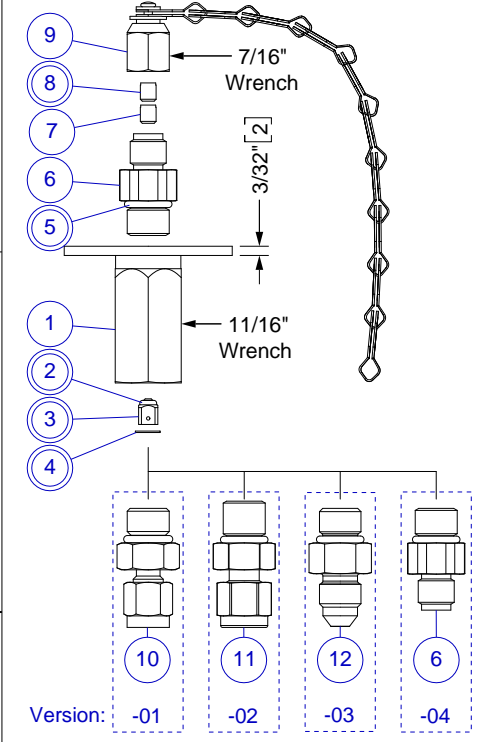
Clean: For Oxygen Service
 Service Kit: MH p/n KM100-1010-01 (Items 2, 3, 4, 5, 8)

Inlet: AN800-3 [3/8-24]



00BLT-1022-01 1/8" Tube **00BLT-1022-02 3/16" Tube** **00BLT-1022-03 JIC-4** **00BLT-1022-04 AN800-3**

Bulkhead Flange



Version: -01 -02 -03 -04

REF	-01	-02	-03	-04	MH Part Number	Description
1	1	1	1	1	0CV04-0304-00	Bulkhead Adapter w/ Check-Valve
2	1	1	1	1	09001-3003-70	O-Ring
3	1	1	1	1	0CV02-0201-00	Poppet
4	1	1	1	1	09007-0001-00	Retaining Ring
5	1	1	1	2	09001-3904-70	O-Ring
6	1	1	1	2	0CV02-0257-00	AN800-3 [3/8-24] Adapter
7	1	1	1	1	00VEN-0021-00	Orifice
8	1	1	1	1	09150-0803-05	Filter
9	1	1	1	1	0CP01-0100-01	AN-800-3 Cap & Chain Assembly
10	1				00HDW-0108-00	1/8" Tube Adapter
11		1			00HDW-0110-00	3/16" Tube Adapter
12			1		00HDW-1381-01	JIC-4 37° Flare Adapter

UNLESS OTHERWISE SPECIFIED, DIMENSIONS ARE IN INCHES. TOLERANCES ARE:
 0.X ±0.015 ANGLES ±3°
 0.XX ±0.010 FRACTIONS ±1/64
 0.XXX ±0.005

INTERPRET GD&T PER ASME 14.5

THIRD ANGLE PROJECTION

DRAWN SGO 2016-10-11

CHECKED

ENGINEER

APPROVED

DO NOT SCALE DRAWING

MH MOUNTAIN HIGH E&S CO. REDMOND, OR. USA

THIS DOCUMENT AND ALL TECHNICAL DATA HEREON DISCLOSED ARE PROPERTY OF MOUNTAIN HIGH E&S CO. AND SHALL NOT BE USED, RELEASED OR DISCLOSED IN WHOLE OR PART WITHOUT WRITTEN PERMISSION FROM MOUNTAIN HIGH E&S CO. THIS DOCUMENT MUST BE RETURNED TO MOUNTAIN HIGH E&S CO. IMMEDIATELY UPON REQUEST.

Customer Drawing, Bulkhead Refill Assy, AN800-3 Inlet Version Matrix [SCD]

DWG TITLE

DWG NUMBER **5IBLT-1022-xx** DWG REV. **F1**

CAD FILE INV. PART NUMBER 00BLT-1022-xx PROD. NAME AN800-B-H-Fill-xxxx

DWG FORMAT: ESR-002 Rev H [17] DWG SCALE DWG SHEET 1 OF 1 DWG SIZE A 11x8½

Insert #: 5IBLT-1022-xx