

1

2

3

4

GENERAL SPECIFICATIONS

Material: UNS C36000 (CDA-360) Brass
UNS A96061 (6061-T6) Aluminum

Weight: 3.6 oz [102 g]

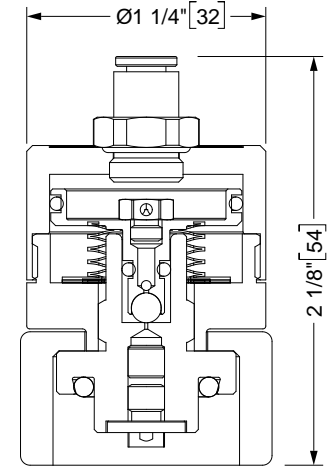
Inlet Fitting: DIN-477-9N
Outlet Fitting: G-1/8 BSP x 4mm Tube

Inlet Pressure Rating: 2400 PSI MAX
Regulated Outlet: 16 ± 2 PSI (Dynamic) (NOM 1 Bar)
20 ± 2 PSI (Static)

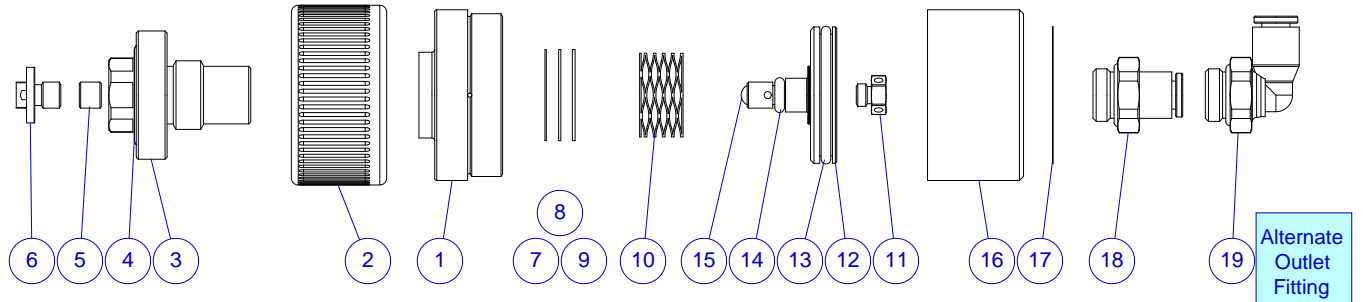
Average Flow Rate: 40 L/min
Temperature Range: -50°F to +130°F [-45°C to +55°C]

Spare O-ring: MH p/n 09001-3113-70 (DIN-477, Item #4)

REV	ECO	Release	Drawn	REVISION HISTORY
A0	2018-023	2018-08-16	SGO	Customer Reference Drawing



REF	Qty	Description
1	1	Inlet Body
2	1	Grip-Nut, DIN-477-9
3	1	Inlet Seat, DIN 477-9
4	2	O-ring (DIN)
5	1	Filter
6	1	DIN-477-9 Euro-Adapter
7	A/R	Shim, .010
8	A/R	Shim, .016
9	A/R	Shim, .020
10	1	Spring
11	1	Diffuser
12	1	Piston
13	1	O-ring
14	1	O-ring
15	1	Ball
16	1	Outlet Body, Axial
17	1	Label
18	1	Outlet Fitting, 4mm tube, Straight
19	1	Outlet Fitting, 4mm tube, 90° Elbow

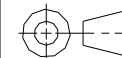


UNLESS OTHERWISE SPECIFIED, DIMENSIONS ARE IN INCHES. TOLERANCES ARE:
 0.X ±0.015
 0.XX ±0.010
 0.XXX ±0.005

ANGLES ± 3°
 FRACTIONS ± 1/64

INTERPRET GD&T PER ASME 14.5

THIRD ANGLE PROJECTION



DO NOT SCALE DRAWING

DRAWN SGO
 2018-08-10

CHECKED

ENGINEER

APPROVED

MH

**MOUNTAIN HIGH E&S CO.
 REDMOND, OR. USA**

THIS DOCUMENT AND ALL TECHNICAL DATA HEREON DISCLOSED ARE PROPERTY OF MOUNTAIN HIGH E&S CO. AND SHALL NOT BE USED, RELEASED OR DISCLOSED IN WHOLE OR PART WITHOUT WRITTEN PERMISSION FROM MOUNTAIN HIGH E&S CO. THIS DOCUMENT MUST BE RETURNED TO MOUNTAIN HIGH E&S CO. IMMEDIATELY UPON REQUEST.

DWG TITLE XCR Regulator, DIN-477-9 x 4mm Tube, Axial [SCD]

DWG NUMBER **5SREG-1034-01** DWG REV. **A0**

CAD FILE 00REG-1034-01\$A0 INV. PART NUMBER 00REG-1034-01 PROD. NAME XCR-DIN(E)-1P-A

DWG FORMAT: ESR-002 Rev H [20] DWG SCALE DWG SHEET 1 OF 1 DWG SIZE A 11x8 1/2