

1

2

3

4

GENERAL SPECIFICATIONS

Material: UNS C36000 (CDA-360) Brass
 UNS A96061 (6061-T6) Aluminum

Weight: 3.3 oz [94 g]

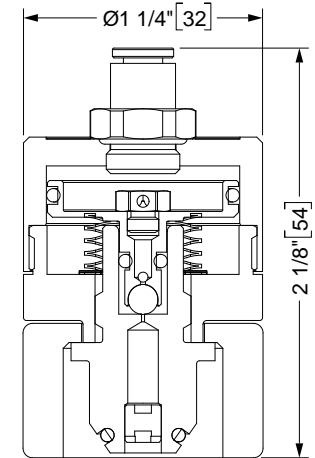
Inlet Fitting: CGA-540N
 Outlet Fitting: G-1/8 BSPP x 4mm Tube

Inlet Pressure Rating: 2400 PSI MAX
 Regulated Outlet: 16 ± 2 PSI (Dynamic) (NOM 1 Bar)
 20 ± 2 PSI (Static)

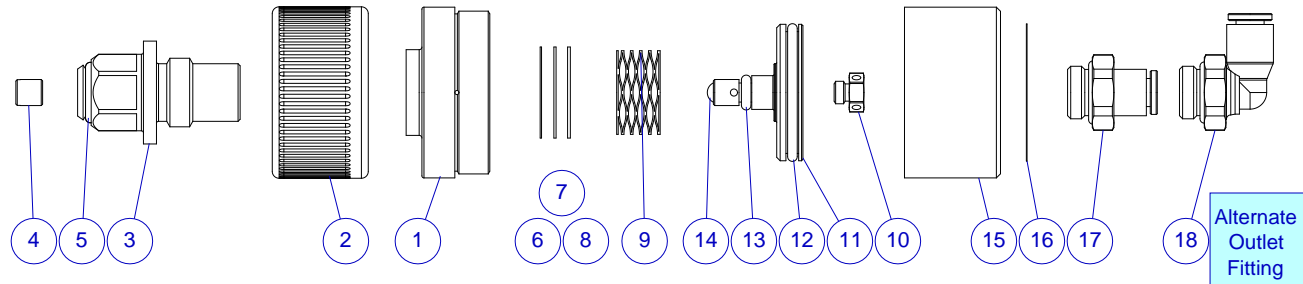
Average Flow Rate: 40 L/min
 Temperature Range: -50°F to +130°F [-45°C to +55°C]

Spare O-ring: MH p/n 09001-0011-90 (CGA-540, Item #5)

REV	ECO	Release	Drawn	REVISION HISTORY
10	2018-023	2018-08-16	SGO	Customer Reference Drawing



REF	Qty	Description
1	1	Inlet Body
2	1	Grip-Nut, CGA-540
3	1	Inlet Seat, CGA-540
4	1	Filter
5	2	O-ring
6	A/R	Shim, .010
7	A/R	Shim, .016
8	A/R	Shim, .020
9	1	Spring
10	1	Diffuser
11	1	Piston
12	1	O-ring
13	1	O-ring
14	1	Ball
15	1	Outlet Body, Axial
16	1	Label
17	1	Outlet Fitting, 4mm tube, Straight
18	1	Outlet Fitting, 4mm tube, 90° Elbow

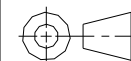


UNLESS OTHERWISE SPECIFIED, DIMENSIONS ARE IN INCHES. TOLERANCES ARE:
 0.X ±0.015
 0.XX ±0.010
 0.XXX ±0.005

ANGLES ± 3°
 FRACTIONS ± 1/64

INTERPRET GD&T PER ASME 14.5

THIRD ANGLE PROJECTION



DO NOT SCALE DRAWING

DRAWN SGO
 2018-08-09

CHECKED

ENGINEER

APPROVED

MH

**MOUNTAIN HIGH E&S CO.
 REDMOND, OR. USA**

THIS DOCUMENT AND ALL TECHNICAL DATA HEREON DISCLOSED ARE PROPERTY OF MOUNTAIN HIGH E&S CO. AND SHALL NOT BE USED, RELEASED OR DISCLOSED IN WHOLE OR PART WITHOUT WRITTEN PERMISSION FROM MOUNTAIN HIGH E&S CO. THIS DOCUMENT MUST BE RETURNED TO MOUNTAIN HIGH E&S CO. IMMEDIATELY UPON REQUEST.

DWG TITLE
XCR Regulator, CGA-540 x 4mm Tube, Axial [SCD]

DWG NUMBER
5SREG-1033-00

DWG REV. **10**

CAD FILE 00REG-1033-00\$10 INV. PART NUMBER 00REG-1033-00 PROD. NAME XCR-CGA-1P-A

DWG FORMAT: ESR-002 Rev H [20] DWG SCALE DWG SHEET 1 OF 1 DWG SIZE A 11x8½

1

2

3

4