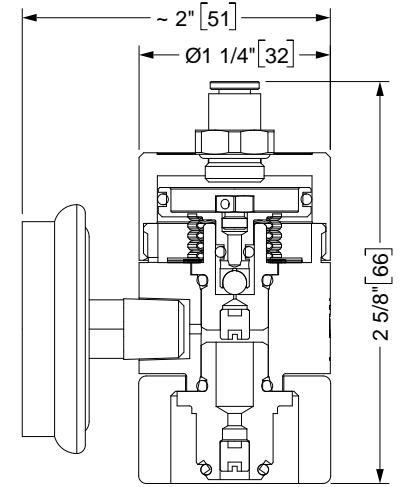
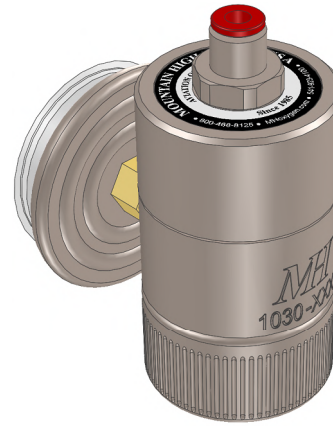


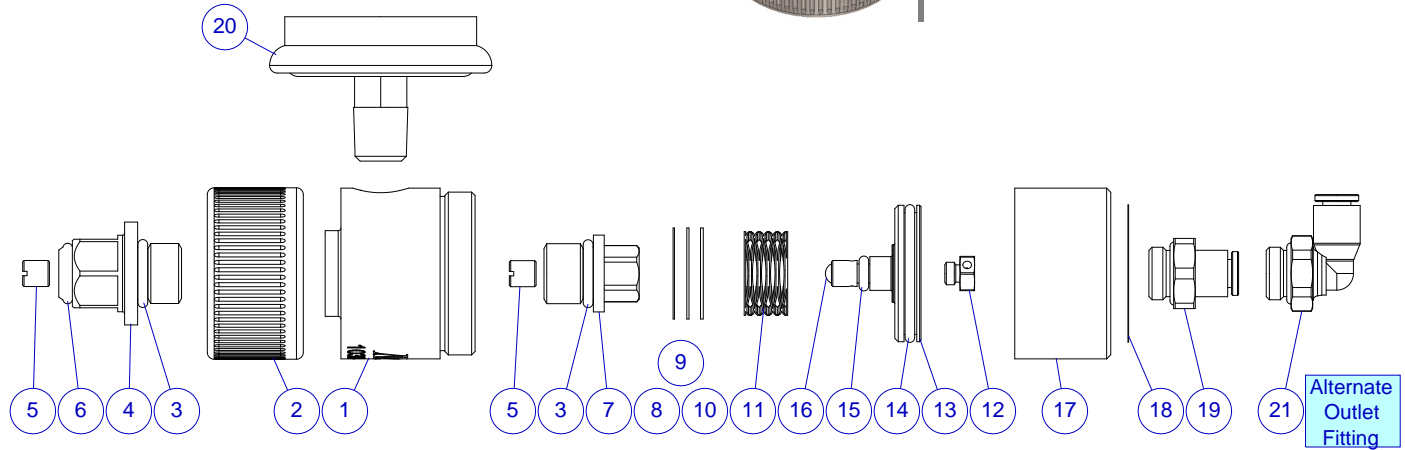
GENERAL SPECIFICATIONS

Material: UNS C36000 (CDA-360) Brass
 UNS A96061 (6061-T6) Aluminum
 Weight: 5 oz [144 g]
 Inlet Fitting: CGA-540N
 Outlet Fitting: G-1/8 BSPP x 4mm Tube
 Inlet Pressure Rating: 2400 PSI MAX
 Regulated Outlet: 16 ± 2 PSI (Dynamic) (NOM 1 Bar)
 20 ± 2 PSI (Static)
 Average Flow Rate: 40 L/min
 Temperature Range: -50°F to +130°F [-45°C to +55°C]
 Spare O-ring: MH p/n 09001-0011-90 (CGA-540, Item #6)

REV	ECO	Release	Drawn	REVISION HISTORY
M0	2018-023	2018-08-16	SGO	Customer Drawing



REF	Qty	Description
1	1	Gauge Body
2	1	Grip-Nut, CGA-540
3	2	O-Ring
4	1	Inlet Nipple, CGA-540
5	2	Filter
6	2	O-ring, CGA-540
7	1	Inlet Seat
8	A/R	Shim, .010
9	A/R	Shim, .016
10	A/R	Shim, .020
11	1	Spring
12	1	Diffuser
13	1	Piston
14	1	O-ring
15	1	O-ring
16	1	Ball
17	1	Outlet Body, Axial
18	1	Label
19	1	Outlet Fitting, 4mm tube, Straight
20	1	MH-300 Medium Pressure Gauge
21	1	Outlet Fitting, 4mm tube, 90° Elbow



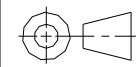
**MH-300
Pressure
Gauge**



UNLESS OTHERWISE SPECIFIED, DIMENSIONS ARE IN INCHES. TOLERANCES ARE:
 0.X ±0.015
 0.XX ±0.010
 0.XXX ±0.005
 ANGLES ± 3°
 FRACTIONS ± 1/64

INTERPRET GD&T PER ASME 14.5

THIRD ANGLE PROJECTION



DO NOT SCALE DRAWING

DRAWN	SGO
CHECKED	2018-08-06
ENGINEER	
APPROVED	

**MH MOUNTAIN HIGH E&S CO.
REDMOND, OR. USA**

THIS DOCUMENT AND ALL TECHNICAL DATA HEREON DISCLOSED ARE PROPERTY OF MOUNTAIN HIGH E&S CO. AND SHALL NOT BE USED, RELEASED OR DISCLOSED IN WHOLE OR PART WITHOUT WRITTEN PERMISSION FROM MOUNTAIN HIGH E&S CO. THIS DOCUMENT MUST BE RETURNED TO MOUNTAIN HIGH E&S CO. IMMEDIATELY UPON REQUEST.

DWG TITLE: **XCR Regulator, CGA-540 x 4mm Tube, Axial, w/ Gauge [SCD]**

DWG NUMBER: **5SREG-1030-00** DWG REV: **M0**

CAD FILE: 00REG-1030-00\$M0 INV. PART NUMBER: 00REG-1030-00 PROD. NAME: XCR-CGA-1P-A-G

DWG FORMAT: ESR-002 Rev H [20] DWG SCALE: DWG SHEET: 1 OF 1 DWG SIZE: A 11x8 1/2