

1

2

3

4

GENERAL SPECIFICATIONS

Materials: UNS C36000 (CDA-360) Brass
 UNS A96061 (6061-T6) Aluminum

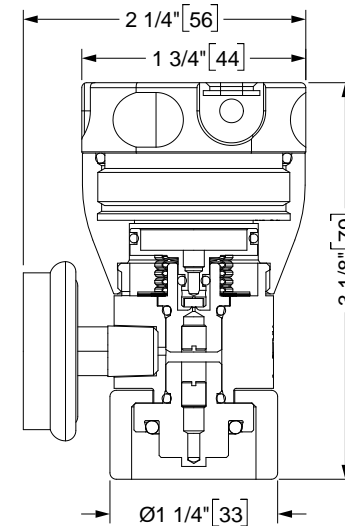
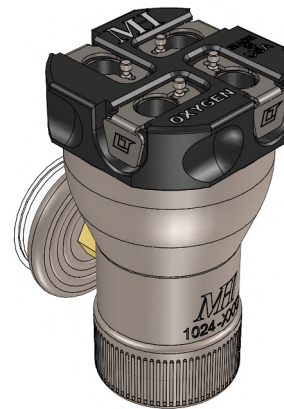
Weight: 8.3 oz [235 g]

Inlet Fitting: DIN-477-9 (Euro CV-Style Compatible)
 Outlet Ports: Industry-standard 5/16 Quick-Disconnect Socket w/ Check-Valve

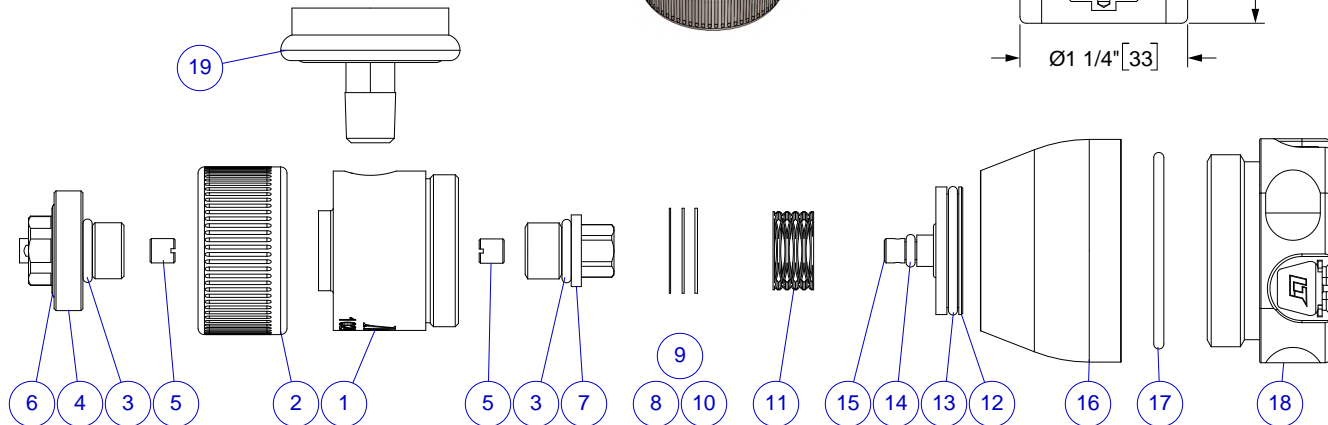
Inlet Pressure Rating: 3000 PSI MAX
 Regulated Outlet: 18 ± 2 PSI (NOM 1 Bar)
 Average Flow Rate: 40 L/min
 Temperature Range: -50°F to +130°F [-45°C to +55°C]

Spare O-ring: MH p/n 09001-3113-70 (DIN-477-9, Item #6)

REV	ECO	Release	Drawn	REVISION HISTORY
-0	2017-021	2017-06-29	SGO	Customer Drawing



REF	Qty	Description
1	1	Gauge Body
2	1	Grip-Nut, DIN-477-9
3	2	O-Ring
4	1	Inlet Nipple, DIN-477-9
5	2	Filter
6	2	O-Ring
7	1	Inlet Seat
8	A/R	Shim, .010
9	A/R	Shim, .016
10	A/R	Shim, .020
11	1	Spring
12	1	Piston
13	1	O-Ring
14	1	O-Ring
15	1	Puck
16	1	Outlet Body, 4-place
17	1	O-Ring
18	1	FPR Outlet Cap Assy
19	1	MH-400 High Pressure Gauge



UNLESS OTHERWISE SPECIFIED, DIMENSIONS ARE IN INCHES. TOLERANCES ARE:
 0.X ±0.015
 0.XX ±0.010
 0.XXX ±0.005

ANGLES ± 3°
 FRACTIONS ± 1/8

INTERPRET GD&T PER ASME 14.5

THIRD ANGLE PROJECTION

DO NOT SCALE DRAWING

MH MOUNTAIN HIGH E&S CO. REDMOND, OR. USA

THIS DOCUMENT AND ALL TECHNICAL DATA HEREON DISCLOSED ARE PROPERTY OF MOUNTAIN HIGH E&S CO. AND SHALL NOT BE USED, RELEASED OR DISCLOSED IN WHOLE OR PART WITHOUT WRITTEN PERMISSION FROM MOUNTAIN HIGH E&S CO. THIS DOCUMENT MUST BE RETURNED TO MOUNTAIN HIGH E&S CO. IMMEDIATELY UPON REQUEST.

DWG TITLE: Customer Drawing, FPR Regulator Assy, DIN-477-9 x 4QD, Axial, w/ Gauge [SCD]

DWG NUMBER: **5SREG-1024-04** DWG REV: **-0**

CAD FILE: 00REG-1024-04\$-0 INV. PART NUMBER: 00REG-1024-04 PROD. NAME: FPR-DIN(E)-4P-A-G

DWG FORMAT: ESR-002 Rev H [17] DWG SCALE: DWG SHEET: 1 OF 1 DWG SIZE: A 11x8 1/2

1

2

3

Insert #: 5IREG-1024-04