

GENERAL SPECIFICATIONS

Materials: UNS C36000 (CDA-360) Brass
 UNS A96061 (6061-T6) Aluminum

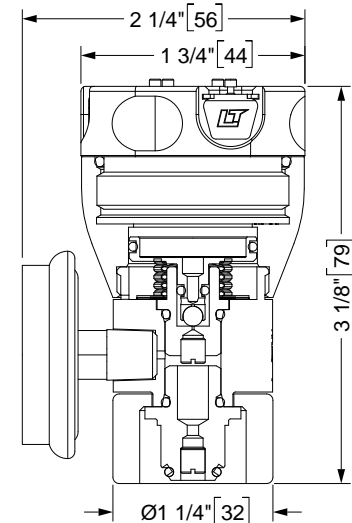
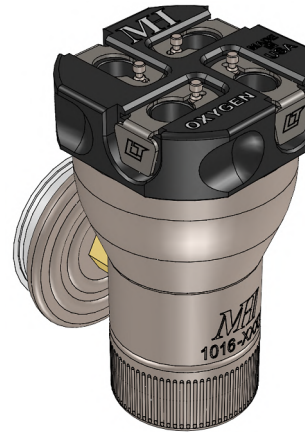
Weight: 8.2 oz [232 g]

Inlet Fitting: CGA-540
 Outlet Ports: Industry-standard 5/16 Quick-Disconnect Socket w/ Check-Valve

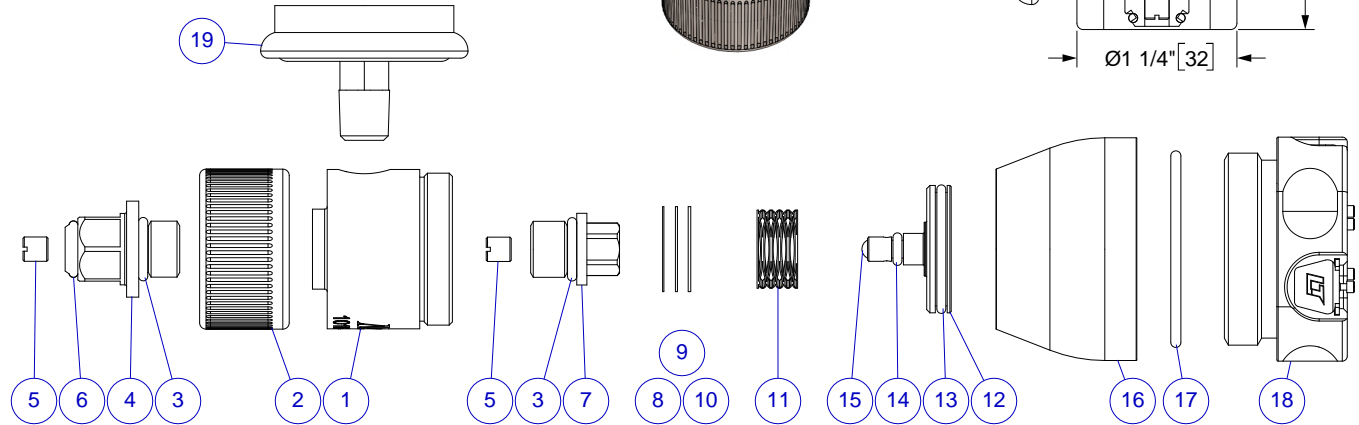
Inlet Pressure Rating: 3000 PSI MAX
 Regulated Outlet: 18 ± 2 PSI (NOM 1 Bar)
 Average Flow Rate: 40 L/min
 Temperature Range: -50°F to +130°F [-45°C to +55°C]

Spare O-ring: MH p/n 09001-0011-90 (CGA-540, Item #6)

REV	ECO	Release	Drawn	REVISION HISTORY
J0	2016-050	2016-10-11	SGO	REG-1016 Assy SCD



REF	Qty	Description
1	1	Gauge Body
2	1	Grip-Nut, CGA-540
3	2	O-Ring
4	1	Inlet Nipple, CGA-540
5	2	Filter
6	2	O-Ring
7	1	Inlet Seat
8	A/R	Shim, .010
9	A/R	Shim, .016
10	A/R	Shim, .020
11	1	Spring
12	1	Piston
13	1	O-Ring
14	1	O-Ring
15	1	Ball
16	1	Outlet Body, 4-place
17	1	O-Ring
18	1	FPR Outlet Cap Assy
19	1	MH-300 Medium Pressure Gauge

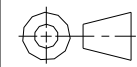


UNLESS OTHERWISE SPECIFIED, DIMENSIONS ARE IN INCHES. TOLERANCES ARE:
 0.X ±0.015
 0.XX ±0.010
 0.XXX ±0.005

ANGLES ± 3°
 FRACTIONS ± 1/8

INTERPRET GD&T PER ASME 14.5

THIRD ANGLE PROJECTION



DO NOT SCALE DRAWING

DRAWN	SGO
2016-09-22	
CHECKED	
ENGINEER	
APPROVED	

MH MOUNTAIN HIGH E&S CO. REDMOND, OR. USA

THIS DOCUMENT AND ALL TECHNICAL DATA HEREON DISCLOSED ARE PROPERTY OF MOUNTAIN HIGH E&S CO. AND SHALL NOT BE USED, RELEASED OR DISCLOSED IN WHOLE OR PART WITHOUT WRITTEN PERMISSION FROM MOUNTAIN HIGH E&S CO. THIS DOCUMENT MUST BE RETURNED TO MOUNTAIN HIGH E&S CO. IMMEDIATELY UPON REQUEST.

Customer Drawing, FPR Regulator, CGA-540 x 4QD, Axial, w/ Gauge [SCD]

DWG TITLE: **5SREG-1016-00**

DWG NUMBER: **5SREG-1016-00**

DWG REV. **J0**

CAD FILE: 00REG-1016-00\$J0

INV. PART NUMBER: 00REG-1016-00

PROD. NAME: FPR-CGA-4P-A-G

DWG FORMAT: ESR-002 Rev H [17]

DWG SCALE: [Blank]

DWG SHEET: 1 OF 1

DWG SIZE: A 11x8½