

**GENERAL SPECIFICATIONS**

Materials: UNS C36000 (CDA-360) Brass  
 UNS A96061 (6061-T6) Aluminum

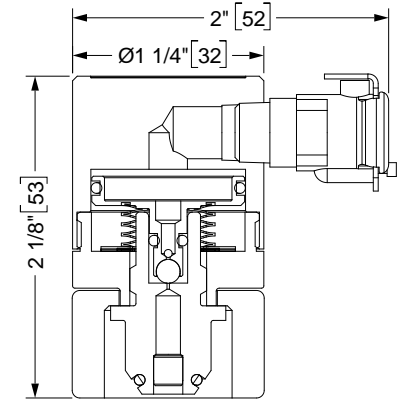
Weight: 3.9 oz [111 g]

Inlet Fitting: CGA-540  
 Outlet Fitting: 1/8-27 NPT x 5/16 QD Socket (CPC-Style)

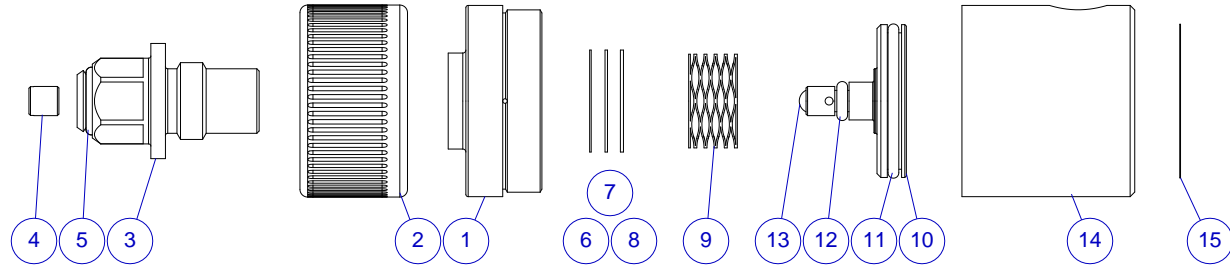
Inlet Pressure Rating: 3000 PSI MAX  
 Regulated Outlet: 18 ± 2 PSI (NOM 1 Bar)  
 Average Flow Rate: 40 L/min  
 Temperature Range: -50°F to +130°F [-45°C to +55°C]

Spare O-ring: MH p/n 09001-0011-90 (CGA-540, Item #5)

REV	ECO	Release	Drawn	REVISION HISTORY
10	2016-050	2016-10-11	SGO	REG-1004 Assy SCD



REF	Qty	Description
1	1	Inlet Body
2	1	Grip-Nut, CGA-540
3	1	Inlet Seat, CGA-540
4	1	Filter
5	2	O-Ring
6	A/R	Shim, .010
7	A/R	Shim, .016
8	A/R	Shim, .020
9	1	Spring
10	1	Piston
11	1	O-Ring
12	1	O-Ring
13	1	Ball
14	1	Outlet Body, Radial
15	1	Label
16	1	QD Outlet Fitting



UNLESS OTHERWISE SPECIFIED, DIMENSIONS ARE IN INCHES. TOLERANCES ARE: 0.X ±0.015 0.XX ±0.010 0.XXX ±0.005		ANGLES ± 3° FRACTIONS ± 1/64		<b>MOUNTAIN HIGH E&amp;S CO.</b> <b>REDMOND, OR. USA</b>	
INTERPRET GD&T PER ASME 14.5		THIS DOCUMENT AND ALL TECHNICAL DATA HEREON DISCLOSED ARE PROPERTY OF MOUNTAIN HIGH E&S CO. AND SHALL NOT BE USED, RELEASED OR DISCLOSED IN WHOLE OR PART WITHOUT WRITTEN PERMISSION FROM MOUNTAIN HIGH E&S CO. THIS DOCUMENT MUST BE RETURNED TO MOUNTAIN HIGH E&S CO. IMMEDIATELY UPON REQUEST.			
THIRD ANGLE PROJECTION		DRAWN SGO 2016-09-07		DWG TITLE <b>Customer Drawing, XCP Regulator, CGA-540 x QD, Radial [SCD]</b>	
		CHECKED		DWG NUMBER <b>5SREG-1004-00</b>	
ENGINEER		CAD FILE 00REG-1004-00\$IO		INV. PART NUMBER 00REG-1004-00	
APPROVED		DWG FORMAT: ESR-002 Rev H [17]		PRODUCT NAME XCP-CGA-1P-R	
DO NOT SCALE DRAWING		DWG SCALE		DWG SHEET 1 OF 1 DWG SIZE A 11x8½	