

1

2

3

4

A

A

B

B

C

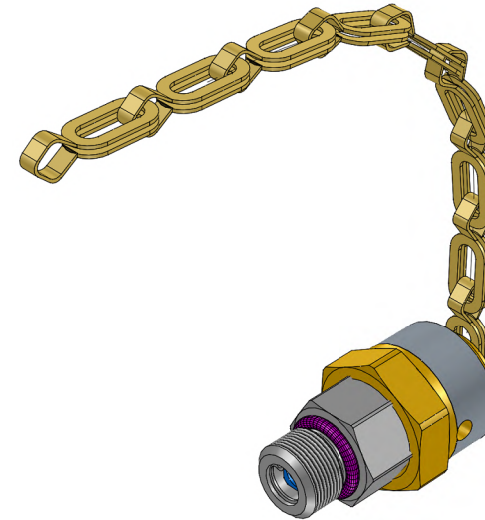
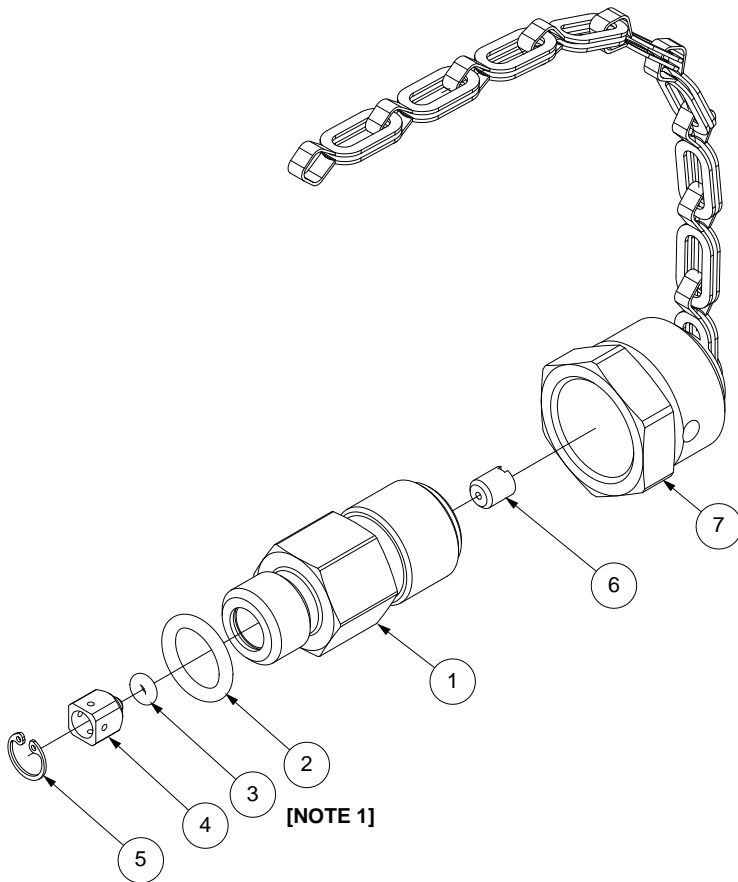
C

D

D

## REVISION HISTORY

| REV | ECO NO.<br>YYYY-MM-DD  | NAME | NOTES  |
|-----|------------------------|------|--|
| D0  | 2015-006<br>2015-02-23 | SGO  | Change Item 3 O-ring: was 09001-1003-70 (Silicon), is 09001-3003-70 (EPDM) |



## NOTES:

[1] DO NOT LUBE Item 3 O-ring

UNLESS OTHERWISE SPECIFIED, DIMENSIONS  
ARE IN INCHES. TOLERANCES ARE:

0.X ±0.015

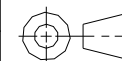
ANGLES ± 3°

0.XX ±0.010

FRACTIONS ± 1/64

0.XXX ±0.005

INTERPRET GD&amp;T PER ASME 14.5

THIRD ANGLE  
PROJECTIONDO NOT SCALE  
DRAWINGDRAWN SGO  
2015-02-06

CHECKED

ENGINEER

APPROVED

**MOUNTAIN HIGH E&S CO.**  
**REDMOND, OR. USA**

THIS DOCUMENT AND ALL TECHNICAL DATA HEREON DISCLOSED ARE PROPERTY OF MOUNTAIN HIGH E&S CO. AND SHALL NOT BE USED, RELEASED OR DISCLOSED IN WHOLE OR PART WITHOUT WRITTEN PERMISSION FROM MOUNTAIN HIGH E&S CO. THIS DOCUMENT MUST BE RETURNED TO MOUNTAIN HIGH E&S CO. IMMEDIATELY UPON REQUEST.

**Check Valve Assembly,**  
**Scott 9/16-18, Cap & Chain**
**DWG TITLE**  
**00BLT-1012-00**
**DWG NUMBER**
**CAD FILE**
**DWG FORMAT:**  
 ESR-002 Rev H [14]

**DWG SCALE**
**INV. PART NUMBER**  
 00BLT-1012-00

**PRODUCT NAME**
**DWG SHEET** 1 OF 1

**DWG REV.** **D0**  
**DWG SIZE** A

| REF | QTY | Part Number   | Rev | Description  |
|-----|-----|---------------|-----|--|
| 1   | 1   | 0CV04-0201-00 | A0  | Check-Valve Body, Poppet Style, Scott 9/16-18 x SAE-4M         |
| 2   | 1   | 09001-3904-70 |     | O-ring, EPDM, 3-904 (SAE-4), E70                               |
| 3   | 1   | 09001-3003-70 |     | O-ring, EPDM, 2-003, E70                                       |
| 4   | 1   | 0CV02-0201-00 | A   | Poppet, 0.25 Dia.  |
| 5   | 1   | 09007-0001-00 |     | Retaining Ring, 1/4" Internal, SS [Rotor Clip HO-25SS MP...]   |
| 6   | 1   | 09150-0803-05 |     | Threaded Filter Insert, #8-32 x .190 [Bird RB-91097-04449-...] |
| 7   | 1   | OCP02-0103-01 | -0  | Cap & Chain Assembly, Scott 9/16-18                            |

1

2

3 Insert #: 5IBLT-1012-00 4