

1

2

3

4

A

A

B

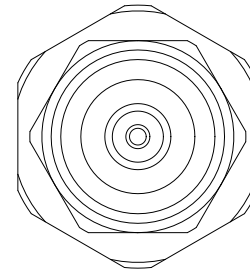
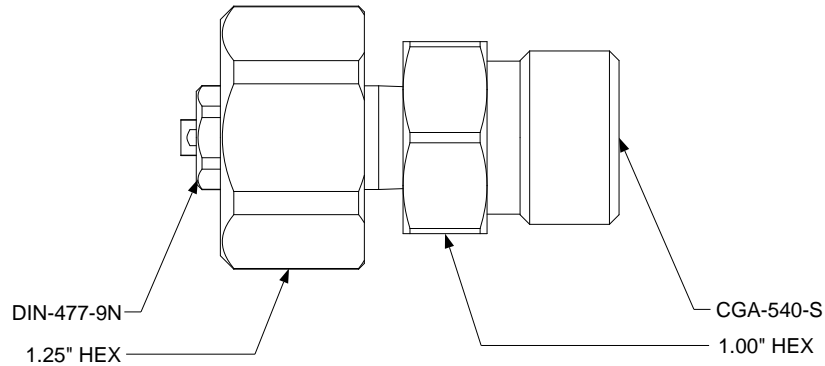
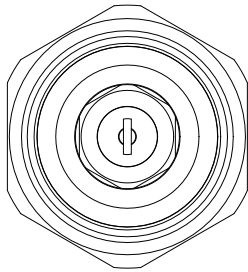
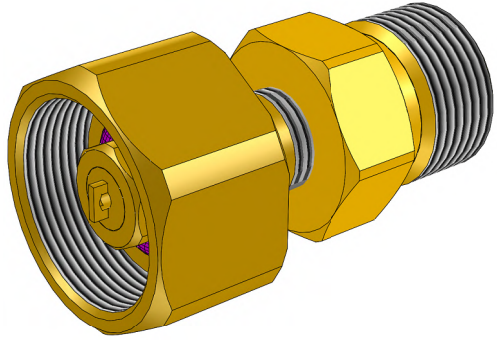
B

C

C

D

D



## REVISION HISTORY

REV	ECO NO. YYYY-MM-DD	NAME	NOTES
E0	2013-020A 2013-10-25	SGO	SCD for 00GSE-1027-00 Rev E0; Resolve Drawing/Inventory/Insert numbers

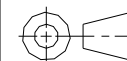
**NOTES:**

1. Material: CDA-360 Brass
2. Finish: None
3. Clean: Unless otherwise specified, per AIR-1176A Sec. 5
4. Weight: TBD
5. Gas Operating Pressure: 3000 PSIG @ 20°C

UNLESS OTHERWISE SPECIFIED, DIMENSIONS  
ARE IN INCHES. TOLERANCES ARE:  
0.X ±0.015 ANGLES ±0.5°  
0.XX ±0.010 FRACTIONS ±1/64  
0.XXX ±0.005

63

INTERPRET GD&amp;T PER ASME 14.5

THIRD ANGLE  
PROJECTIONDO NOT SCALE  
DRAWINGDRAWN SGO  
2013-10-18

CHECKED

ENGINEER

APPROVED

**MH****MOUNTAIN HIGH E&S CO.  
REDMOND, OR. USA**

THIS DOCUMENT AND ALL TECHNICAL DATA HEREON DISCLOSED ARE PROPERTY OF MOUNTAIN HIGH E&S CO. AND  
SHALL NOT BE USED, RELEASED OR DISCLOSED IN WHOLE OR PART WITHOUT WRITTEN PERMISSION FROM MOUNTAIN  
HIGH E&S CO. THIS DOCUMENT MUST BE RETURNED TO MOUNTAIN HIGH E&S CO. IMMEDIATELY UPON REQUEST.

DWG  
TITLE

Transfiller Adapter,  
CGA-540-S to DIN-477-9N/Euro [SCD]

DWG  
NUMBER**5IGSE-1027-00**DWG  
REV. **E0**CAD  
FILEINV. PART  
NUMBER

00GSE-1027-00

PRODUCT  
NAMEDWG FORMAT:  
ESR-002 Rev H [12]DWG  
SCALEDWG  
SHEET

1 OF 1

DWG  
SIZE **A**

1

2

3

4