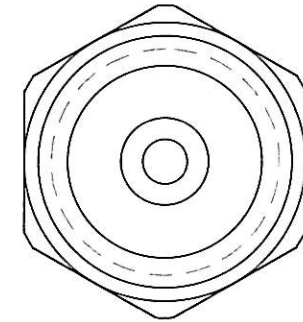
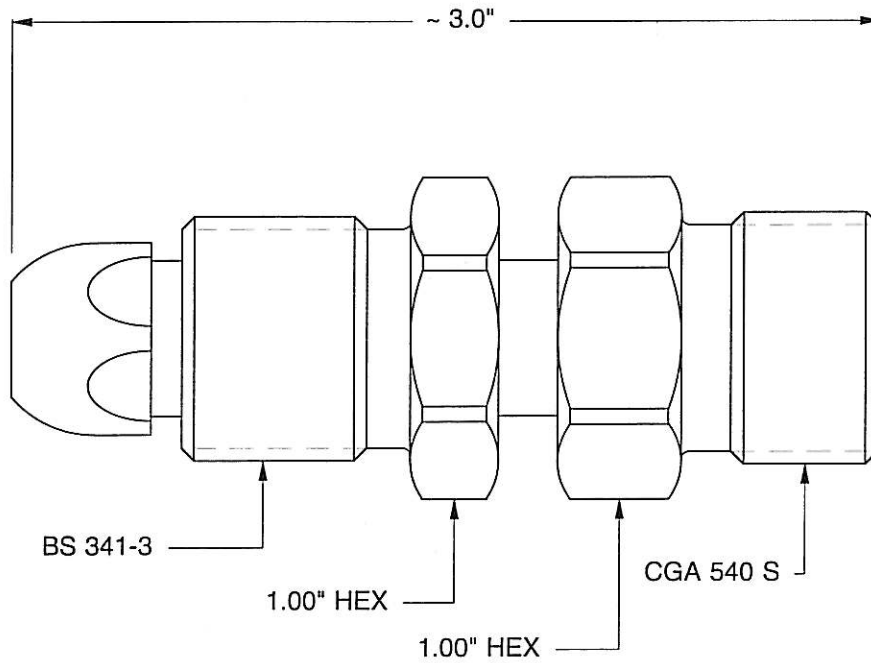


NOTES:

- 1. MATERIAL: CDA-360 BRASS
- 2. FINISH: NONE
- 3. CLEAN: UNLESS OTHERWISE SPECIFIED, PER AIR-1176A SEC. 5
- 4. WEIGHT: 8.0 Oz. MAX.
- 5. GAS OPERATING PRESSURE: 3000 PSIG @ 20° C

REVISION HISTORY

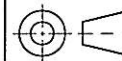
REV	DATE	E. C. O. / APPR.	NOTES



FOR REFERENCE ONLY

P/N 00GSE-1044-00

THIRD ANGLE PROJECTION.



<CR> KEY CHARACTERISTICS NO.
 <MA> PER CORP. DOC: ESR-001
MH MOUNTAIN HIGH
 E&S CO.
 REDMOND, OR. USA

ISSUED:	DATE	ADAPTER: CGA540-S / BSR 341-3
DRAWN: SBW	08-04-07	DWG. #: 00GSE-1044-00
ENGINEER: SBW	08-04-07	REV IR
APPR:	DATE	SIZE A SHEET 1 OF 1 DO NOT SCALE DRAWING