

1

2

3

4

A

A

B

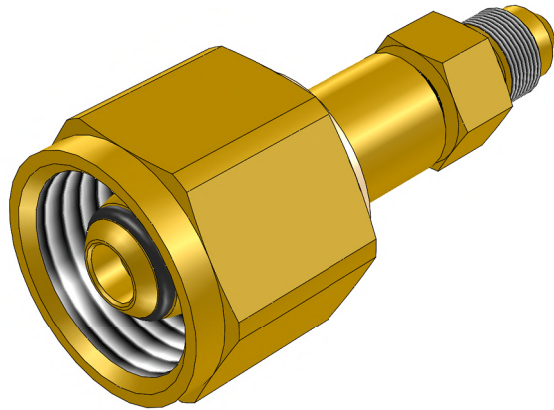
B

C

C

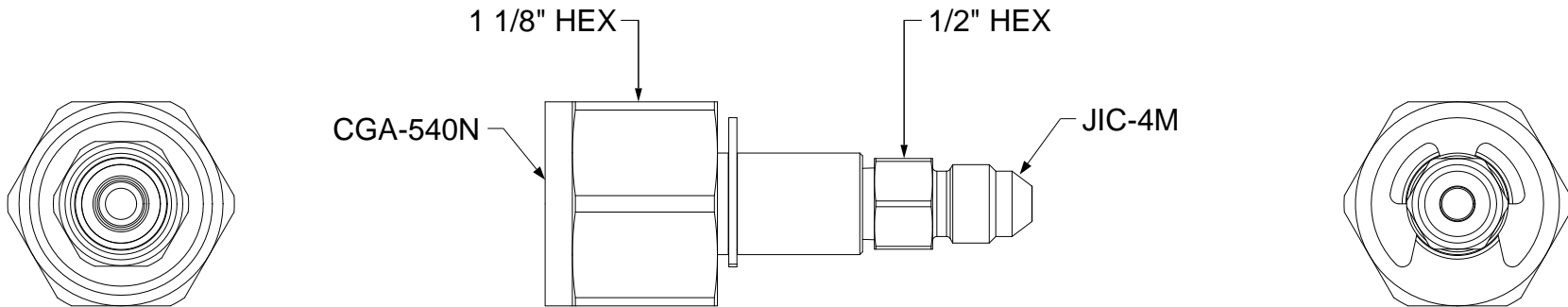
D

D



REVISION HISTORY

REV	ECO NO. YYYY-MM-DD	NAME	NOTES
-0	2014-041 2014-11-10	SGO	INITIAL RELEASE



NOTES:

1. Material: CDA-360 Brass
2. Finish: None
3. Clean: Unless otherwise specified, per AIR-1176A Sec. 5
4. Weight: TBD
5. Gas Operating Pressure: 3000 PSIG @ 20°C
6. Replacement O-ring: MH p/n 09001-0011-90

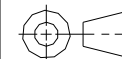
UNLESS OTHERWISE SPECIFIED, DIMENSIONS ARE IN INCHES. TOLERANCES ARE:

0.X ±0.015
 0.XX ±0.010
 0.XXX ±0.005

ANGLES ± 3°
 FRACTIONS ± 1/64

INTERPRET GD&T PER ASME 14.5

THIRD ANGLE PROJECTION



DO NOT SCALE DRAWING

DRAWN SGO
2014-11-10

CHECKED

ENGINEER

APPROVED

63



**MOUNTAIN HIGH E&S CO.
REDMOND, OR. USA**

THIS DOCUMENT AND ALL TECHNICAL DATA HEREON DISCLOSED ARE PROPERTY OF MOUNTAIN HIGH E&S CO. AND SHALL NOT BE USED, RELEASED OR DISCLOSED IN WHOLE OR PART WITHOUT WRITTEN PERMISSION FROM MOUNTAIN HIGH E&S CO. THIS DOCUMENT MUST BE RETURNED TO MOUNTAIN HIGH E&S CO. IMMEDIATELY UPON REQUEST.

DWG TITLE **CGA-540N x JIC-4M Adapter, Brass [SCD]**

DWG NUMBER **5IGSE-1046-00**

DWG REV. **-**

CAD FILE INV. PART NUMBER 00GSE-1046-00

PRODUCT NAME

DWG FORMAT: ESR-002 Rev H [14]

DWG SCALE

DWG SHEET 1 OF 1

DWG SIZE A

1

2

3

4