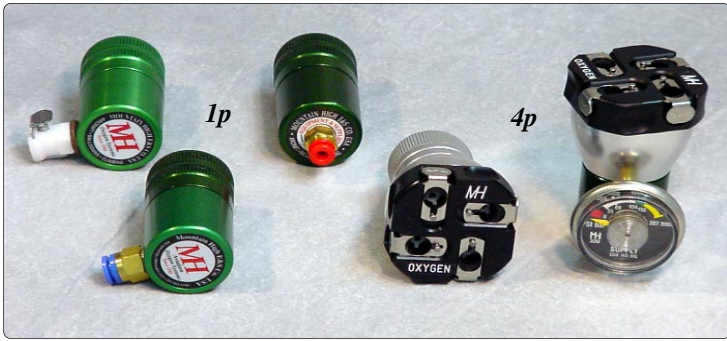


Oxygen regulators

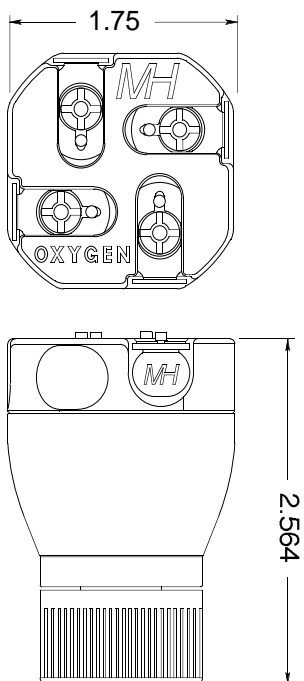
Oxygen regulators that directly connect to the outlet/service port of an oxygen cylinder that are featured in our portable systems



Our line of oxygen regulators are the piston type. This design is known for its ruggedness and flawless operation even in an extreme environment. Calibrated operation is ensured throughout a wide range of inlet pressures, temperatures and shock-vibration exposure. These regulators tolerate moisture ingestion so they do not freeze to clog or stop the regulating mechanism. Unlike other regulators, moisture just passes through. The regulators have sintered metal micro-particle filters in the inlet nipples to ensure proper operation without the worry of contamination.

The XCR series of regulators are essentially single-outlet. These regulators feature the SMC quick-lock system for the 4 mm. and 6 mm. polyurethane tubing. Standard issue with our XCR and EDS single-place system packages is the 4 mm. radial swivel-elbow regulator. The axial outlet versions are available in CGA-540 & DIN-477 with built-in cylinder pressure gauges.

Please call if you don't see what you need



Our oxygen regulators are constant-pressure calibrated to deliver about 15 psig. (1 bar) of pressure dynamically (that is while flowing). They have been designed to stop the high-pressure inlet side while the low-pressure outlet side is stopped (static no-flow condition) at a pressure of about 20 psig. This allows for a semi-remote on/off control action of the regulator. This is utilized in the EDS, XCR on/off control system and in the XCP systems while no stations are connected to any of the outlets.

The dimensional aspects of our oxygen regulators have been carefully designed so they can be used in all sorts of tight-fitting applications!

