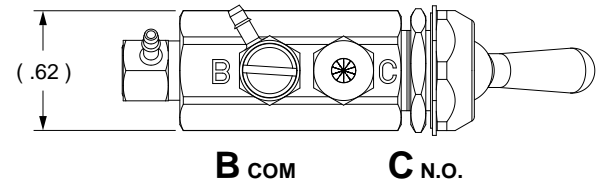
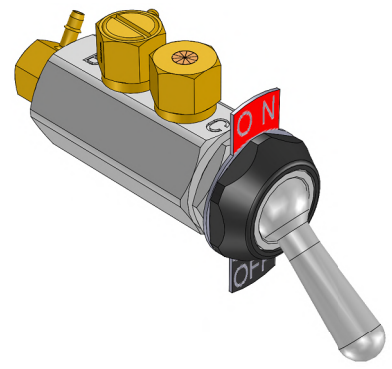


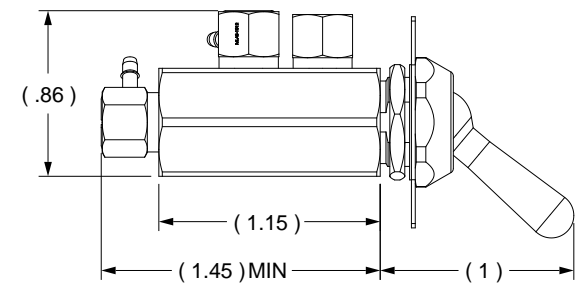
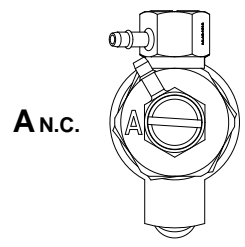
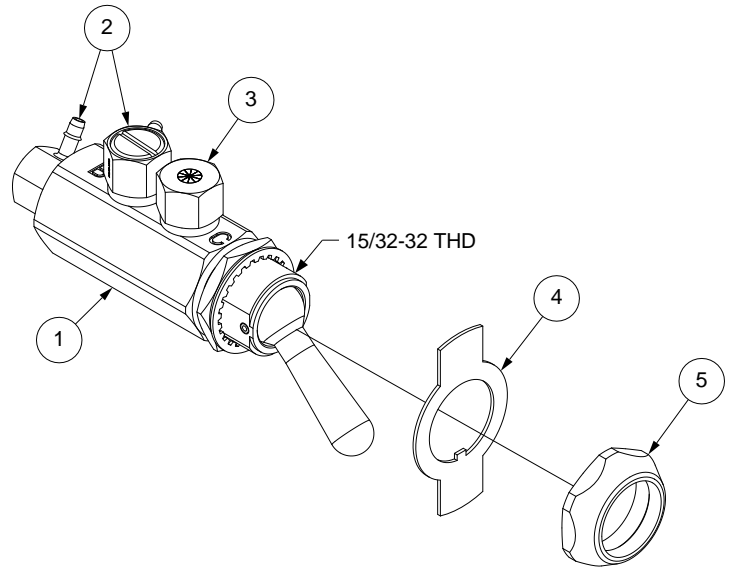
1 2 3 4

A



A

B



B

C

C

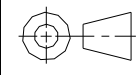
D

D

REF	QTY	Part Number	Rev	Description
1	1	19026-0004-01		Switch, Pneumatic, 3-way, #10-32 ported exhaust, Metal Togg
2	2	19055-0002-00		Banjo Fitting, Adjustable, 90° elbow, #10-32 x Barb, 1/16 ID T
3	1	09025-0023-00		Breather, #10-32
4	1	50001-0003-00		Switch Plate, "On/Off"
5	1	19027-0006-00		Dress Nut, Black Anodized, 15/32-32 THD

UNLESS OTHERWISE SPECIFIED, DIMENSIONS ARE IN INCHES. TOLERANCES ARE:  
 0.X ±0.015 ANGLES ±0.5°  
 0.XX ±0.010 FRACTIONS ±1/64  
 0.XXX ±0.005

THIRD ANGLE PROJECTION



DO NOT SCALE DRAWING

63 ✓

DRAWN SGO  
2013-11-25

CHECKED

ENGINEER

APPROVED

**MH MOUNTAIN HIGH E&S CO.**  
**REDMOND, OR. USA**

THIS DOCUMENT AND ALL TECHNICAL DATA HEREON DISCLOSED ARE PROPERTY OF MOUNTAIN HIGH E&S CO. AND SHALL NOT BE USED, RELEASED OR DISCLOSED IN WHOLE OR PART WITHOUT WRITTEN PERMISSION FROM MOUNTAIN HIGH E&S CO. THIS DOCUMENT MUST BE RETURNED TO MOUNTAIN HIGH E&S CO. IMMEDIATELY UPON REQUEST.

DWG TITLE **Emergency Bypass Control Switch Assy [SCD]**

DWG NUMBER **5I000-0152-00** DWG REV. **-1**

CAD FILE INV. PART NUMBER APCR0-0152-00 PRODUCT NAME

DWG FORMAT: ESR-002 Rev H [13] DWG SCALE DWG SHEET 1 OF 1 DWG SIZE A

1 2 3 4