

4

3

2

1

NOTES:

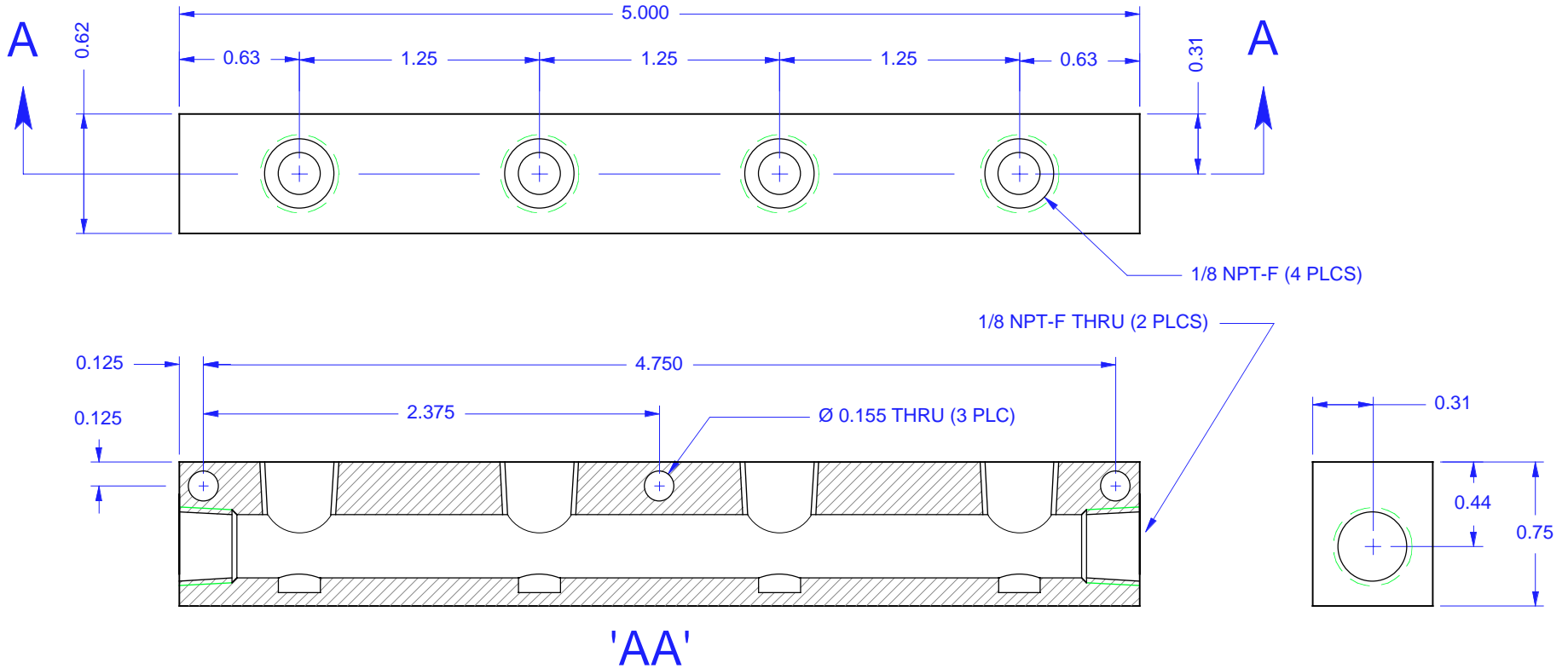
- 1. MATERIAL: A96061 (QQ-A-225/8) 6061-T651 ALUMINUM.
- 2. FINISH: ANODIZE PER MIL-A-8625 TYPE II, CLASS 2 GREEN.
- 3. CLEAN: UNLESS OTHERWISE SPECIFIED, PER AIR-1176A SEC. 5.
- 4. MARKING: UNLESS OTHERWISE SPECIFIED, PER IN-HOUSE DOCUMENT ESR-005.

Weight: 75 g. (2.65 Oz.)

REVISION HISTORY

REV	DA-MO-YR	E. C. O. / APPR.	NOTES
A	10-12-00	PLM	CHANGED TO NEW FORMAT & DWG. NO. SYS.
B	16-05-2013	HBS / PLM	UPDATED WITH SECTION DETAIL

SOURCE CONTROL DOCUMENT FOR REFERENCE ONLY



UNLESS OTHERWISE SPECIFIED DIMS ARE IN INCHES. TOLERANCES ARE:		THIRD ANGLE PROJECTION.		<CR> KEY CHARACTERISTICS	NO. -0-
0.X ±0.015	ANGLES ±0.5°	FRACTIONS ± 1/64	63/	MOUNTAIN HIGH E&S CO. REDMOND, OR. USA	
0.XX ±0.010					
0.XXX ±0.005					
INTERPRET DIM AND TOL PER ASME Y14.5					
ISSUED:	11-05-99	MATERIAL:	NOTE 1	MANIF. QUAD 1/8 NPT LOW PRESSURE	
DRAWN:	TEM	FINISH:	NOTE 2	DWG. #: MN01-054 (SCD) REV B	
ENGINEER:	TEM	CLEAN:	NOTE 3		
APPR:	PLM	MARKING:	NOTE 4		

SOURCE CONTROL DOCUMENT INSERT No. 51MAN-0004-01

PRODUCT: LPO-4 ITEM No.: 00MAN-0004-01

4

3

2

1