

Specifications

Construction: Main Body 6061-T6 Alum.
Anodize Per MIL-A-8625 Type II
Connection Brass

Weight: 3.0 oz Max

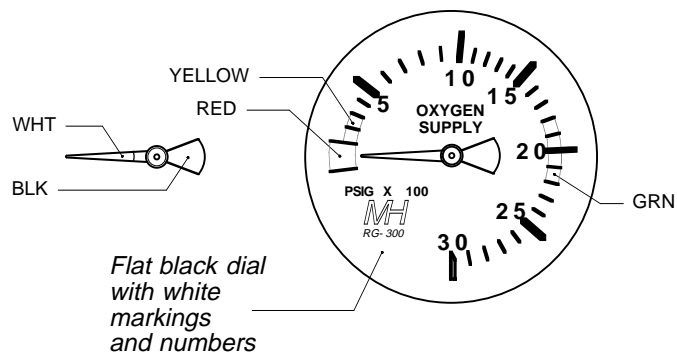
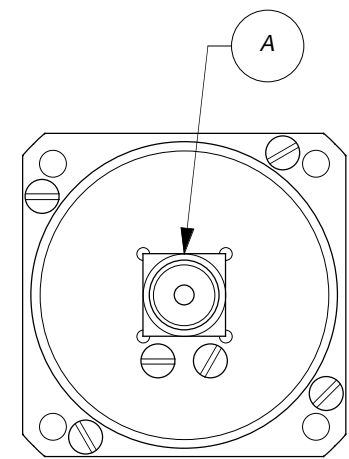
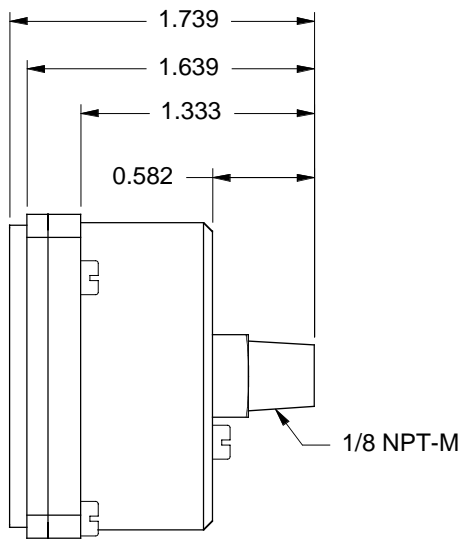
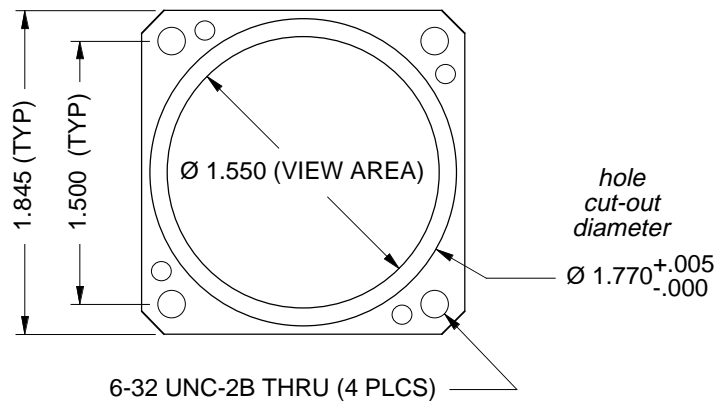
Dial Ranges:

- 0 - 15 psig. FS zero @ 7:30
- 0 - 30 psig. FS zero @ 7:30
- 0 - 60 psig. FS zero @ 7:30
- 0 - 100 psig. FS zero @ 7:30
- 0 - 200 psig. FS zero @ 7:30
- 0 - 2000 psig. FS zero @ 7:30
- 0 - 3000 psig. FS zero @ 9:00 (standard issue)

FOR REFERENCE ONLY

REVISION HISTORY			
REV	DATE	E. C. O. / APPR.	NOTES
B	03-22-00	PLM	UPDATED WITH NEW FORMAT & ADDRESS
C	11-22-00	PLM	UPDATED TO SHOW PROPER DIAL/SCALE DETAIL & OPTIONS
D	01-08-02	PLM	INCREASED CUT-OUT HOLE FROM 1.750 TO 1.770

A: 0.475" Square flats (29 mm.) for "NOSHOCK" socket.
A: 0.440" Square flats 7/16 (11 mm.) for "AMETEK" socket



UNLESS OTHERWISE SPECIFIED DIMS ARE IN INCHES. TOLERANCES ARE:			THIRD ANGLE PROJECTION.	<CR> KEY CHARACTERISTICS	NO.
0.X	±0.015	ANGLES	FRACTIONS	<MA> PER CORP. DOC: ESR-001	-
0.XX	±0.010	± 0.5°	± 1/64	MOUNTAIN HIGH E&S CO. REDMOND, OR. USA	
0.XXX	±0.005				
INTERPRET GD&T DIMS AND TOLS PER ASME 14.5				N1.75" (4.45 cm) PRESSURE GAUGE	
ISSUED:	DATE			DWG. #: E-900104	
DRAWN: PLM	02-22-97			REV D	
ENGINEER: PLM	02-22-97				
APPR:	DATE			SIZE A	SHEET 1 OF 1
				DO NOT SCALE DRAWING	