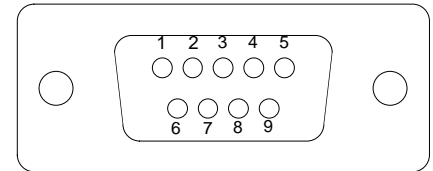
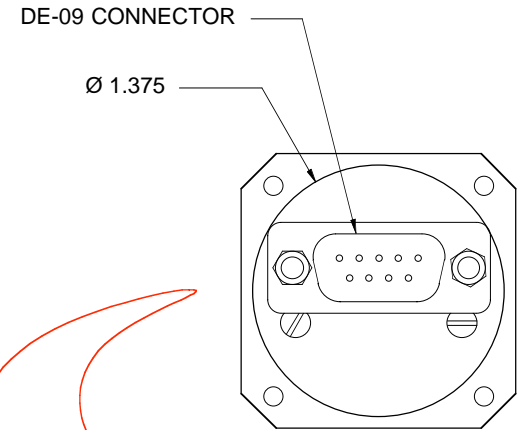
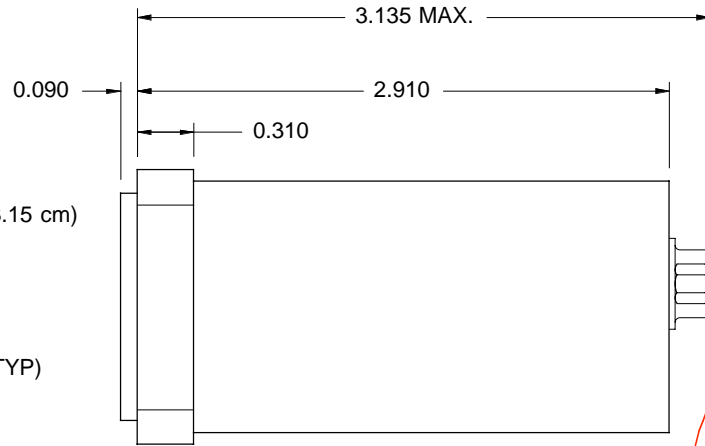
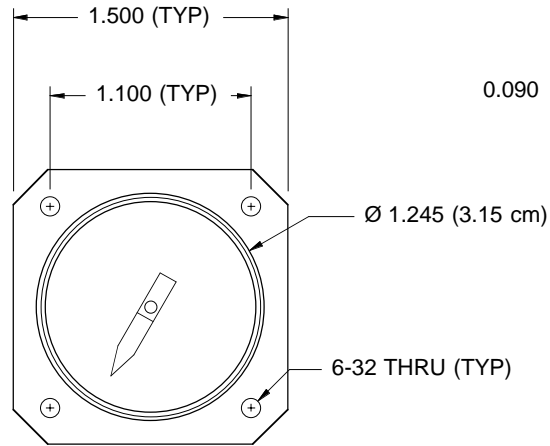
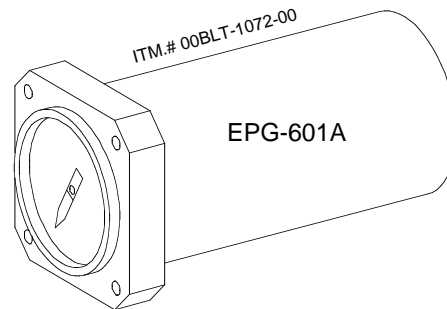
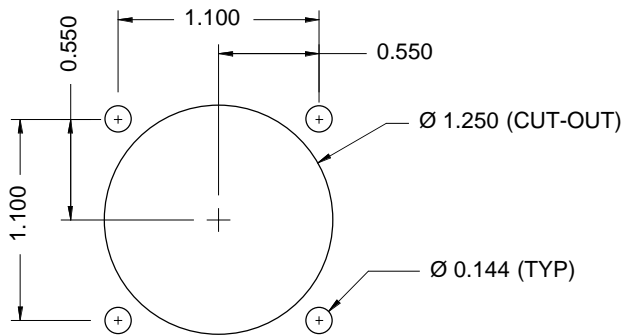


REVISION HISTORY				
REV	MO-DA-YR	NEO / ECO	APPROVED	NOTES
A	11-24-00	PLM	PLM	CORRECTED HOLE SPACING & DIA.
B	07-07-07	PLM	PLM	UPGRADED DRAWING TO REFLECT CURRENT VERSION OF GAUGE
C	10-06-11	PLM	PLM	SIMPLIFIED REAR-VIEW DETAIL



- 1: +12 TO +32 VDC POWER INPUT
- 2: INTERNALLY CONNECTED TO PIN 1
- 3: +12 VDC OUT FOR 14V SENDING UNITS ONLY
- 4: N/C
- 5: INPUT (4 - 20 MA PRESSURE SENDING UNIT)
- 6: EL INTERNAL LIGHTING AC INPUT
- 7: EL INTERNAL LIGHTING AC INPUT
- 8: INTERNALLY CONNECTED TO PIN 9
- 9: GROUND



MODEL EPG-601A
ITM.# 00BLT-1072-00

UNLESS OTHERWISE SPECIFIED DIMS ARE IN INCHES.
TOLERANCES ARE:
0.X ±0.015 ANGLES FRACTIONS 63
0.XX ±0.010 ±0.5° ±1/64
0.XXX ±0.005
INTERPRET GD&T PER ASME 14.5 FMT REV G

THIRD ANGLE PROJECTION
DO NOT SCALE DRAWING



MOUNTAIN HIGH
E&S CO.
REDMOND, OR. USA

[KC] NUMBER OF KEY CHARACTERISTICS IN THIS DRAWING / DOCUMENT PER MH DOC: ESR-001

ORIG.:	PLM	11-10-00	OXYGEN E-GAUGE, 1.5" FORM-FACTOR (SCD)	
DRWN.:	PLM	11-10-00	DWG. # 0EPG6-051-001	REV C SIZE A
ENG.:	PLM	11-10-00	MOD.# EPG-601A	ITM.# 00BLT-1072-00
APPR.:	NAME	MO-DA-YR	SHEET 1 OF 3	CUSTOMER CODE