

4

3

2

1

- NOTES:**
 1. MATERIAL: BRASS AND COPPER.; WEIGHT: 0.23 Kg. (6 Oz.)
 2. FINISH: NONE.
 3. CLEAN: UNLESS OTHERWISE SPECIFIED, PER AIR-1176A SEC. 5
 4. MARKING: UNLESS OTHERWISE SPECIFIED, PER IN-HOUSE DOC. ESR-005.
 REMOVE ALL BURRS & SHARP EDGES

REVISION HISTORY (version roll-offs are kept onfile)			
REV	DATE	E. C. O. / APPR.	NOTES
A	02-12-01	PLM.	ADDED CHAIN & CAP ASSY.
B	11-11-11	HBS / PLM	CHANGED TO SPLIT-RING ON CHAIN ASSY. PLACED NEW FORMAT

D

D

C

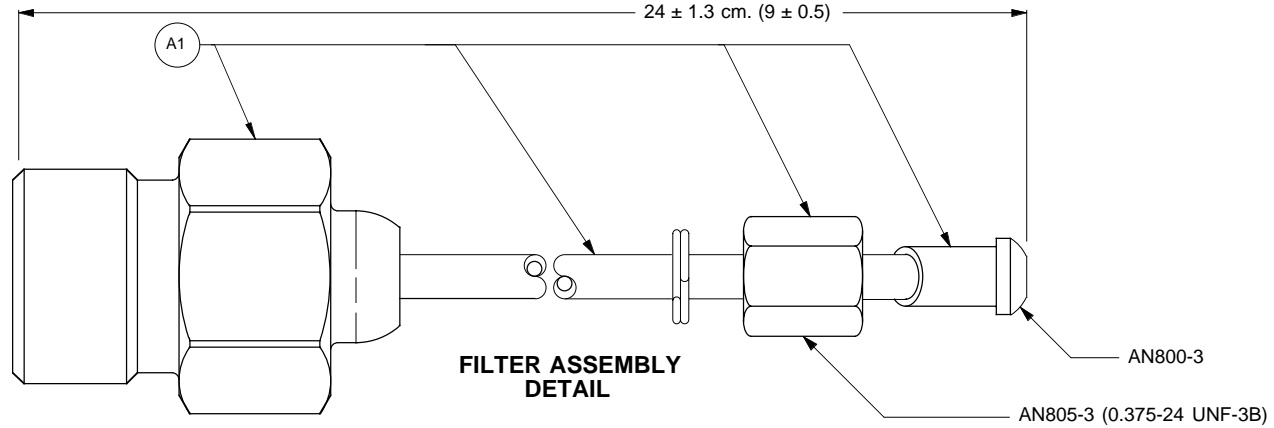
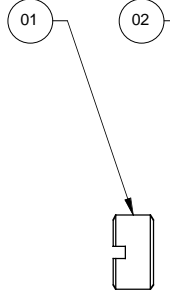
C

B

B

A

A



CGA540-S (SOCKET)

25.4 mm. (1" HEX)

FINAL ASSEMBLY

FLOW →



**ASSY. DETAIL FOR
 PRODUCT PIN TA-380-S
 SOURCE CONTROL DOCUMENT
 FOR REFERENCE ONLY**

REF	QTY	DWG / PART NO.	REV	SUB-ASSY.	NOMENCLATURE
01	01	ORG10-0202-00	A	-	SETSCREW, HOLLOW
02	01	09025-0003-00	-	-	FILTER
A1	01	-	-	0TA54-0103-00	ASSY, TUBE CGA540S/AN800
A2	01	-	-	0CP01-0101-01	ASSY, CHAIN AND PROTECTOR CAP

ASSEMBLY NOTES:

A.. INSERT FILTER (ITEM 02) AND SETSCREW (ITEM 01). TORQUE TO 12-16 LB-IN.

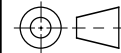
UNLESS OTHERWISE SPECIFIED DIMS ARE IN INCHES.
TOLERANCES ARE:

0.X ±0.015 ANGLES FRACTIONS 63
 0.XX ±0.010 ± 0.5° ± 1/64
 0.XXX ±0.005

INTERPRET GD&T PER ASME 14.5

FMT REV H

THIRD ANGLE PROJECTION



DO NOT SCALE DRAWING



MOUNTAIN HIGH
 E&S CO.
 REDMOND, OR. USA

[KC]
 00

NUMBER OF KEY CHARACTERISTICS
 IN THIS DRAWING / DOCUMENT
 PER MH DOC: ESR-001

ORIGINAL MO-DA-YR	PLM, 08-13-99	MATERIAL	1	DWG. TITLE	ASSY, CGA540-S/AN800 (SCD)		
ENGINEER MO-DA-YR	PLM, 08-13-99	FINISH	2	DWG. NUMBER	TA54-104-000	DWG. REVISION	REV B
DRAWN MO-DA-YR	PLM, 08-13-99	CLEAN	3	CAD FILE NUMBER	TA54-540 TYPE: -104 (SCD)	DWG. SHEETS	1 OF 1
CHECKED MO-DA-YR	-	MARKING	4	INV. PART NUMBER	00GSE-1002-00	CAT ITEM NUMBER	00GSE-1002-00

4

3

2

1