

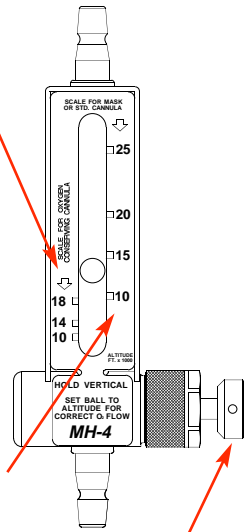
# PORTABLE AVIATION OXYGEN SYSTEM OPERATING INSTRUCTIONS

Consult operators manual for detailed instructions

USE  
OXYMIZER  
CANNULA  
WITH **MH4**  
(LEFT SCALE)  
FOR FLIGHT  
OPERATIONS  
BELOW  
FLIGHT LEVEL  
180

USE  
FACEMASK  
WITH **MH4**  
FLOWMETER  
(RIGHT SCALE)

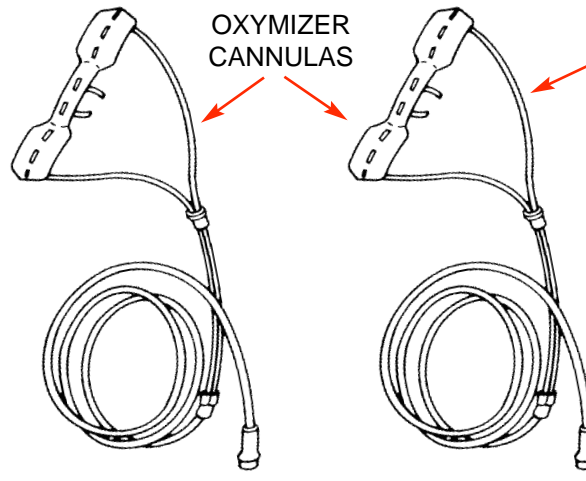
FOR FLIGHT  
OPERATIONS  
AT AND ABOVE  
FLIGHT LEVEL  
180



HOLD  
FLOWMETER  
VERTICAL AND  
ADJUST KNOB  
WHERE BALL  
INDICATES  
ALTITUDE.



**FACEMASK**



OXYMIZER  
CANNULAS

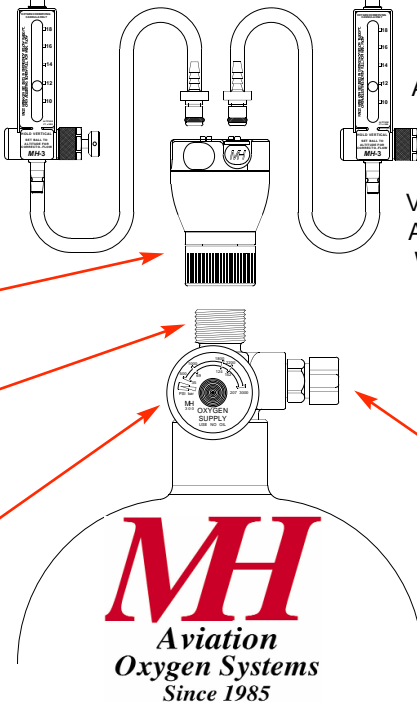
USE  
OXYMIZER  
CANNULA  
WITH  
**MH3**  
FLOWMETER  
FOR FLIGHT  
OPERATIONS  
BELOW  
FLIGHT  
LEVEL 180

FLOW  
METER

FOUR-PLACE  
REGULATOR

TANK  
FILLER  
PORT

TANK  
SUPPLY  
GAUGE

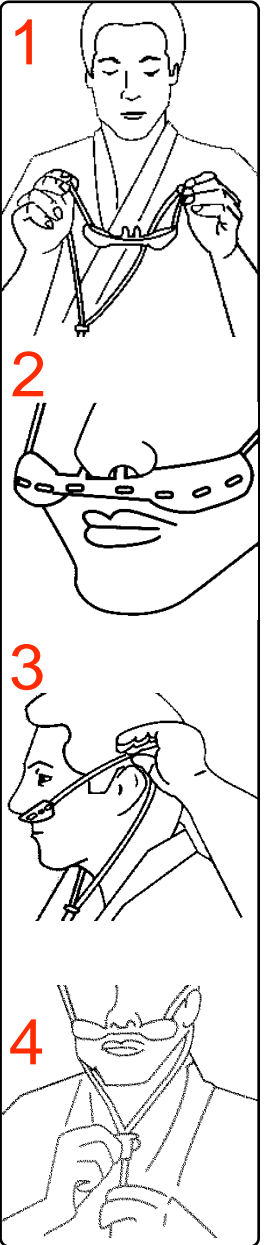


FLOW  
ADJUSTMENT  
CONTROL.

HOLD  
VERTICAL AND  
ADJUST KNOB  
WHERE BALL  
INDICATES  
ALTITUDE.

MAIN  
ON/OFF  
VALVE

**MH**  
Aviation  
Oxygen Systems  
Since 1985



## CAUTION



**Cylinder Contains High Pressure Oxygen**

Keep cylinder away from heat, flames and direct sunlight and store in a dry cool area.  
Do not open cylinder valve without regulator or transfilling equipment properly attached.

Keep valve closed when not in use or empty.

Never allow oil, grease or other combustible substance to come in contact with the  
cylinder or related system components as it may combine with the oxygen and react with  
explosive violence causing injury or death

Mountain High Aviation Oxygen Systems. Redmond, OR. [www.mhooxygen.com](http://www.mhooxygen.com)