

4

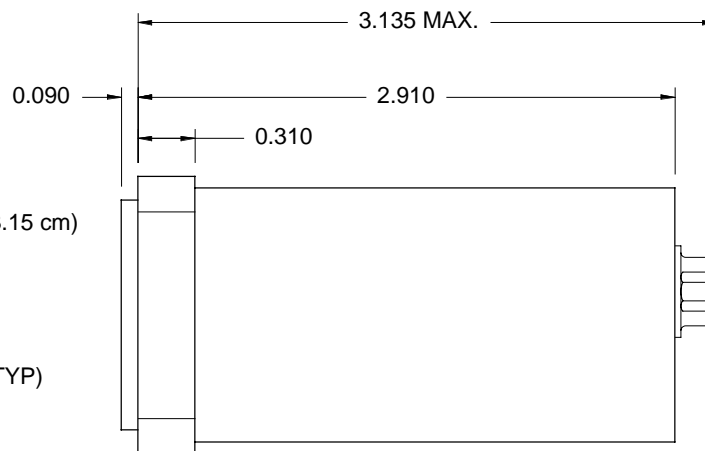
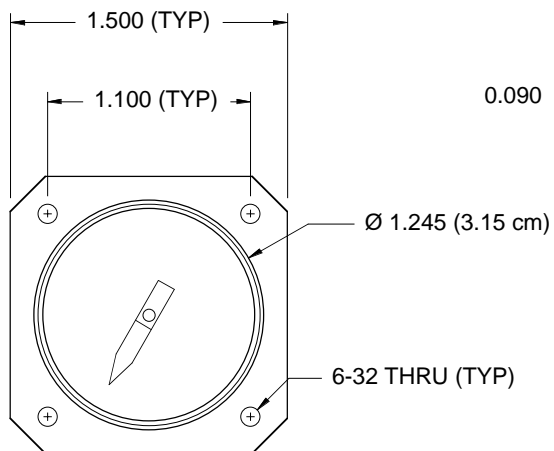
3

2

1

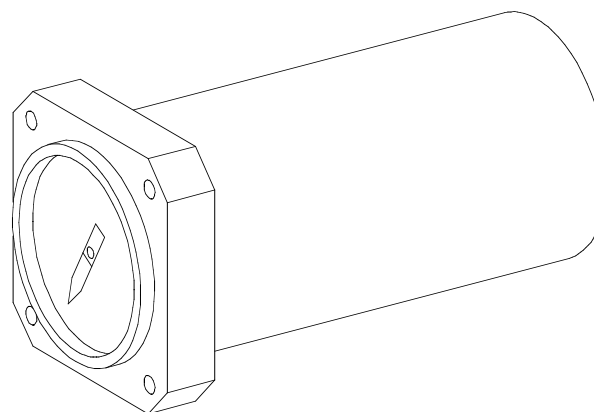
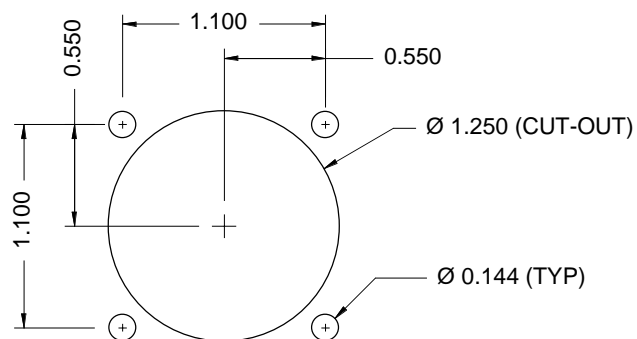
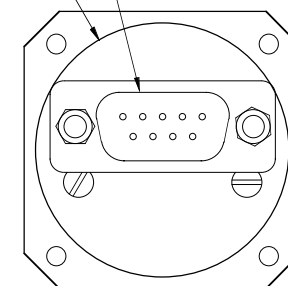
REVISION HISTORY

REV	MO-DA-YR	NEO / ECO	APPROVED	NOTES
-	11-10-00	PLM	PLM	INITIAL DRAFT
A	11-24-00	PLM	PLM	CORRECTED HOLE SPACING & DIA.
B	07-07-07	PLM	PLM	UPGRADED DRAWING TO REFLECT CURRENT VERSION OF GAUGE

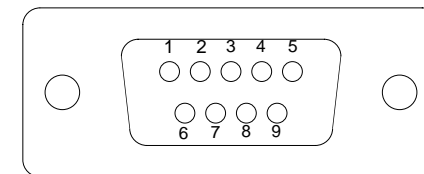


DE-09 CONNECTOR

Ø 1.375



- 1: +12 TO +32 VDC POWER INPUT
- 2: INTERNALLY CONNECTED TO PIN 1
- 3: +12 VDC OUT FOR 14V SENDING UNITS ONLY
- 4: N/C
- 5: INPUT (4 - 20 MA PRESSURE SENDING UNIT)
- 6: EL INTERNAL LIGHTING AC INPUT
- 7: EL INTERNAL LIGHTING AC INPUT
- 8: INTERNALLY CONNECTED TO PIN 9
- 9: GROUND



MODEL EPG-601A

UNLESS OTHERWISE SPECIFIED DIMS ARE IN INCHES.
TOLERANCES ARE:

0.X	±0.015	ANGLES	FRACTIONS	63 ✓
0.XX	±0.010	± 0.5°	± 1/64	
0.XXX	±0.005			

INTERPRET GD&T PER ASME 14.5 FMT REV G

THIRD ANGLE
PROJECTIONDO NOT SCALE
DRAWING

MH

MOUNTAIN HIGH
E&S CO.
REDMOND, OR. USA

[KC]

00

NUMBER OF KEY CHARACTERISTICS
IN THIS DRAWING / DOCUMENT
PER MH DOC: ESR-001

ORIG.:	PLM	11-10-00	OXYGEN E-GAUGE, 1.5" FORM-FACTOR (SCD)		
DRWN.:	PLM	11-10-00	DWG. # 0EPG6-051-000	REV B	SIZE A
ENG.:	PLM	11-10-00	INV PART NUMBER	CAT ITEM NUMBER	
APPR.:	NAME	MO-DA-YR	SHEET 1 OF 3	CUSTOMER CODE	

4

3

2

1