

4

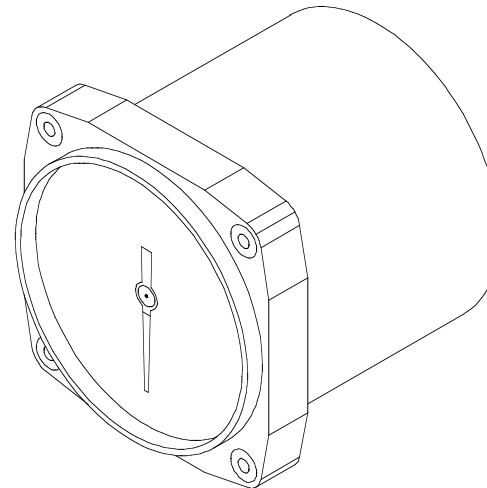
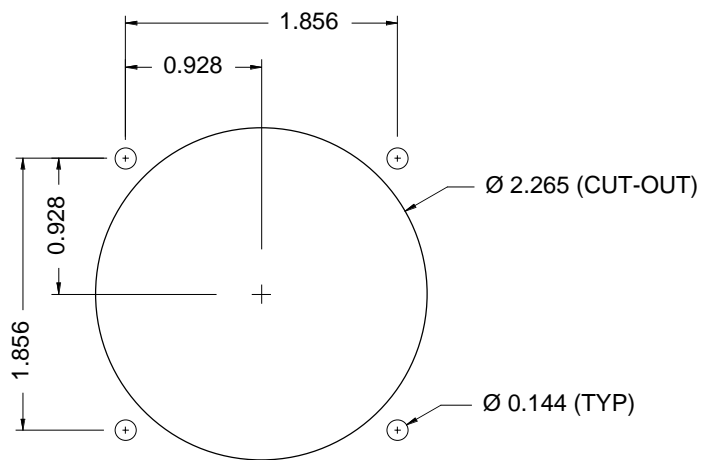
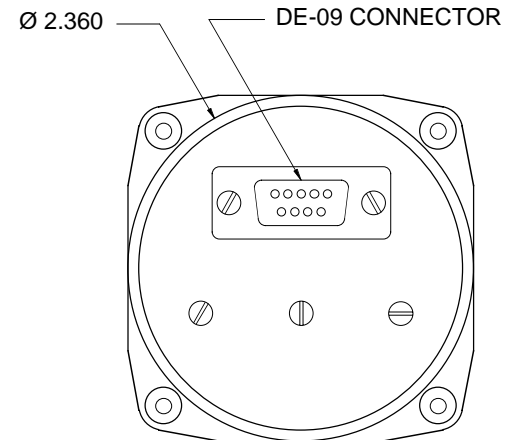
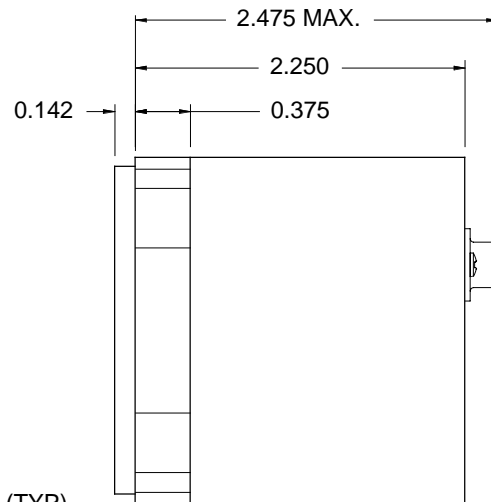
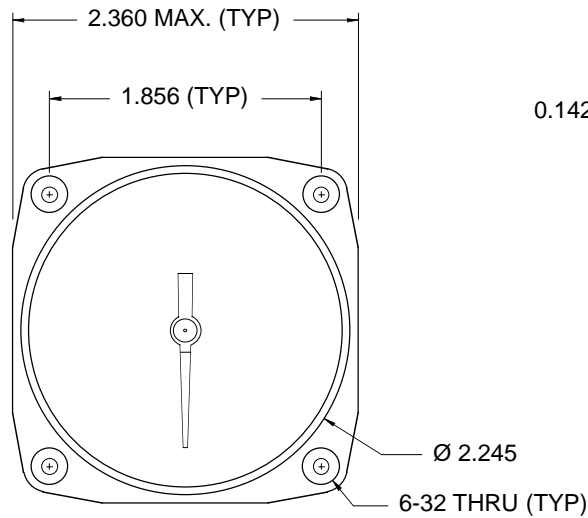
3

2

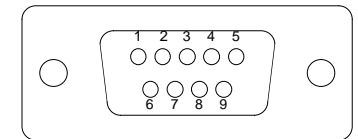
1

REVISION HISTORY

REV	MO-DA-YR	NEO / ECO	APPROVED	NOTES
-	11-10-00	PLM.	PLM.	INITIAL DRAFT
A	11-24-00	PLM.	PLM.	CORRECTED HOLE SPACING & DIA.



- 1: +12 TO +32 VDC POWER INPUT
- 2: INTERNALLY CONNECTED TO PIN 1
- 3: +12 VDC OUT FOR 14V SENDING UNITS ONLY
- 4: N/C
- 5: INPUT (4 - 20 MA PRESSURE SENDING UNIT)
- 6: EL INTERNAL LIGHTING AC INPUT
- 7: EL INTERNAL LIGHTING AC INPUT
- 8: INTERNALLY CONNECTED TO PIN 9
- 9: GROUND

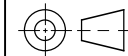


UNLESS OTHERWISE SPECIFIED DIMS ARE IN INCHES.
TOLERANCES ARE:

0.X ±0.015 ANGLES FRACTIONS 63
 0.XX ±0.010 ±0.5° ± 1/64
 0.XXX ±0.005

INTERPRET GD&T PER ASME 14.5 FMT REV G

THIRD ANGLE
PROJECTION



DO NOT SCALE
DRAWING

MH

MOUNTAIN HIGH
E&S CO.
REDMOND, OR. USA

[KC]

00

NUMBER OF KEY CHARACTERISTICS
IN THIS DRAWING / DOCUMENT
PER MH DOC: ESR-001

MODEL EPG-600A

ORIG.:	PLM	11-10-00		OXYGEN E-GAUGE, 2.25" FORM-FACTOR (SCD)		
DRWN.:	PLM	11-10-00		DWG. # 0EPG6-051-000	REV A	SIZE A
ENG.:	PLM	11-10-00		INV PART NUMBER	CAT ITEM NUMBER	
APPR.:	NAME	MO-DA-YR		SHEET 2 OF 3	CUSTOMER CODE	

4

3

2

1