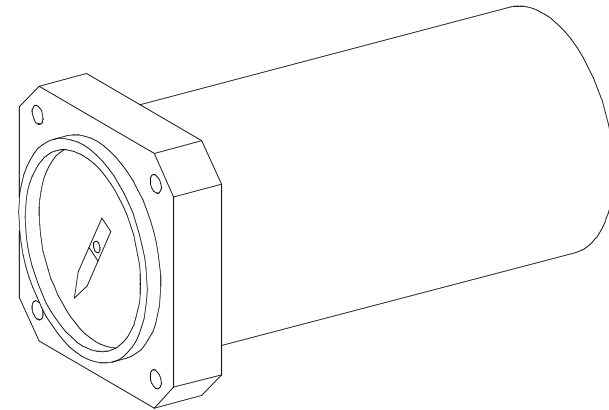
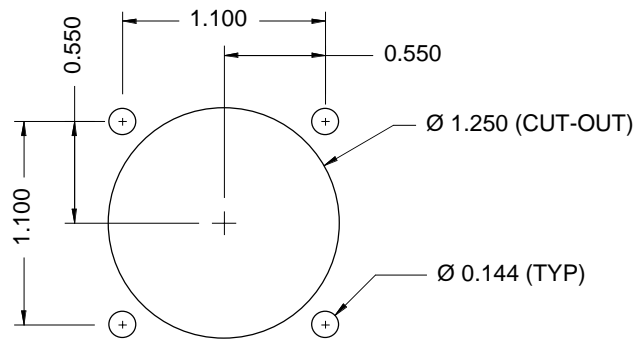
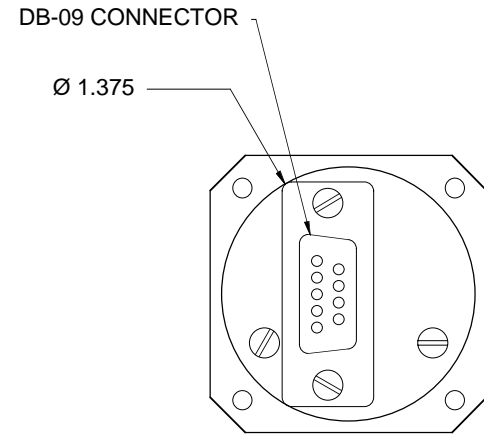
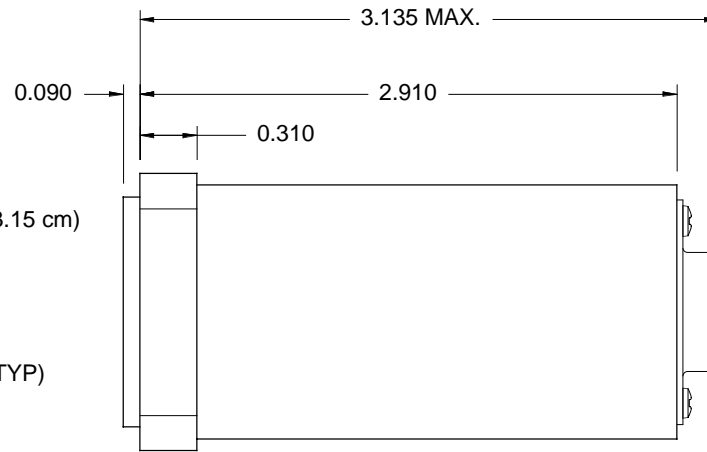
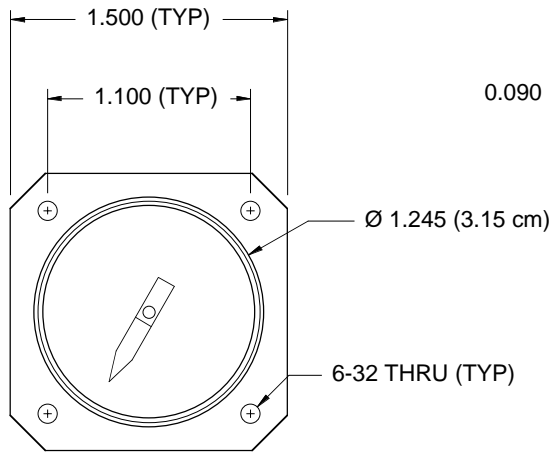


REVISION HISTORY			
REV	DATE	E. C. O. / APPR.	NOTES
A	11-24-00	PLM.	CORRECTED HOLE SPACING & DIA.



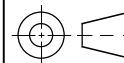
MODEL 601A

UNLESS OTHERWISE SPECIFIED DIMS ARE IN INCHES. TOLERANCES ARE:

0.X ±0.015 ANGLES FRACTIONS 63/100
 0.XX ±0.010 ± 0.5° ± 1/64
 0.XXX ±0.005

INTERPRET GD&T DIMS AND TOLS PER ASME 14.5

THIRD ANGLE PROJECTION.



<CR> KEY CHARACTERISTICS NO. -

<MA> PER CORP. DOC: ESR-001

MH MOUNTAIN HIGH E&S CO. REDMOND, OR. USA

ISSUED:	DATE	E-GAUGE; 1.5" FORM-FACTOR	
DRAWN: PLM	11-10-00	DWG. #: EG60-051 (SCD) REV A	
ENGINEER: PLM	11-10-00	SIZE A	SHEET 1 OF 1
APPR:	DATE	DO NOT SCALE DRAWING	