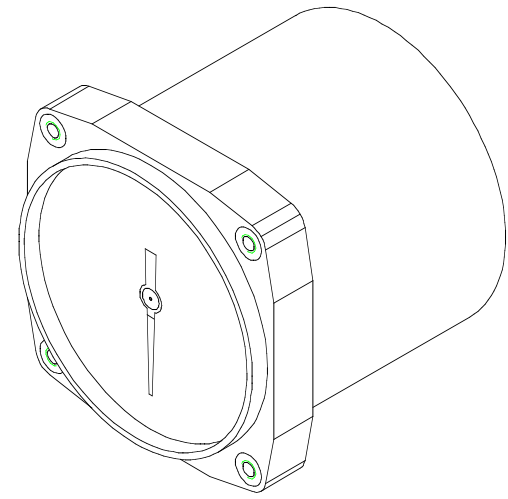
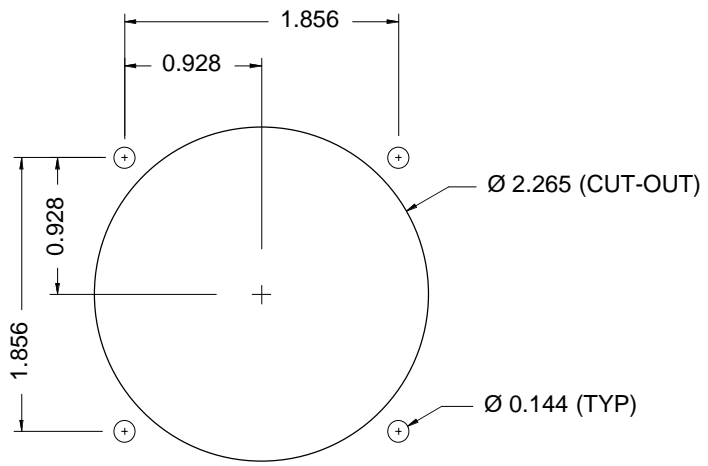
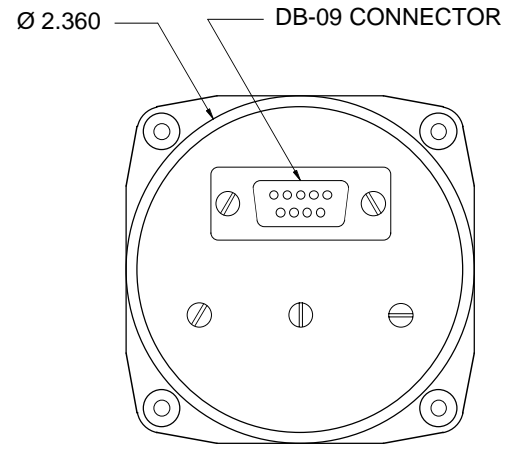
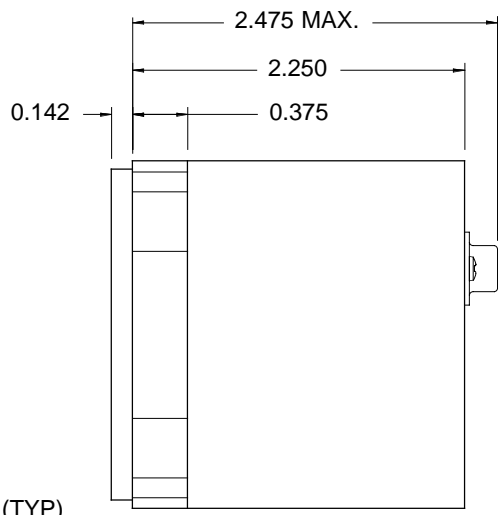
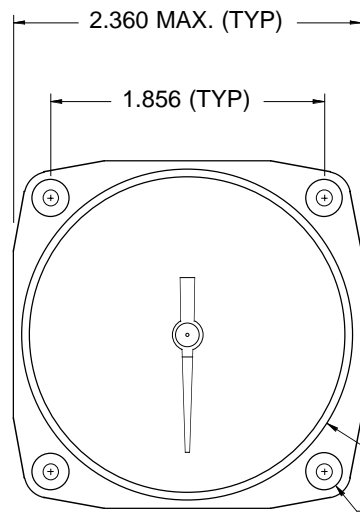
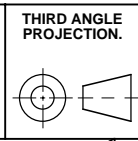


REVISION HISTORY			
REV	DATE	E. C. O. / APPR.	NOTES
A	11-24-00	PLM.	CORRECTED HOLE SPACING & DIA.



MODEL 600A

UNLESS OTHERWISE SPECIFIED DIMS ARE IN INCHES.
TOLERANCES ARE:
0.X ±0.015 ANGLES FRACTIONS 63/
0.XX ±0.010 ± 0.5° ± 1/64
0.XXX ±0.005



THIRD ANGLE PROJECTION.
<CR> KEY CHARACTERISTICS NO.
<MA> PER CORP. DOC: ESR-001
MH MOUNTAIN HIGH E&S CO. REDMOND, OR. USA

ISSUED:	DATE	MATERIAL:	NOTE 1
DRAWN: PLM	11-10-00	FINISH:	NOTE 2
ENGINEER: PLM	11-10-00	CLEAN:	NOTE 3
APPR:	DATE	MARKING:	NOTE 4

E-GAUGE; 2.25" FORM-FACTOR		
DWG. #: EG60-053 (SCD)		REV A
SIZE A	SHEET 1 OF 1	DO NOT SCALE DRAWING