

4

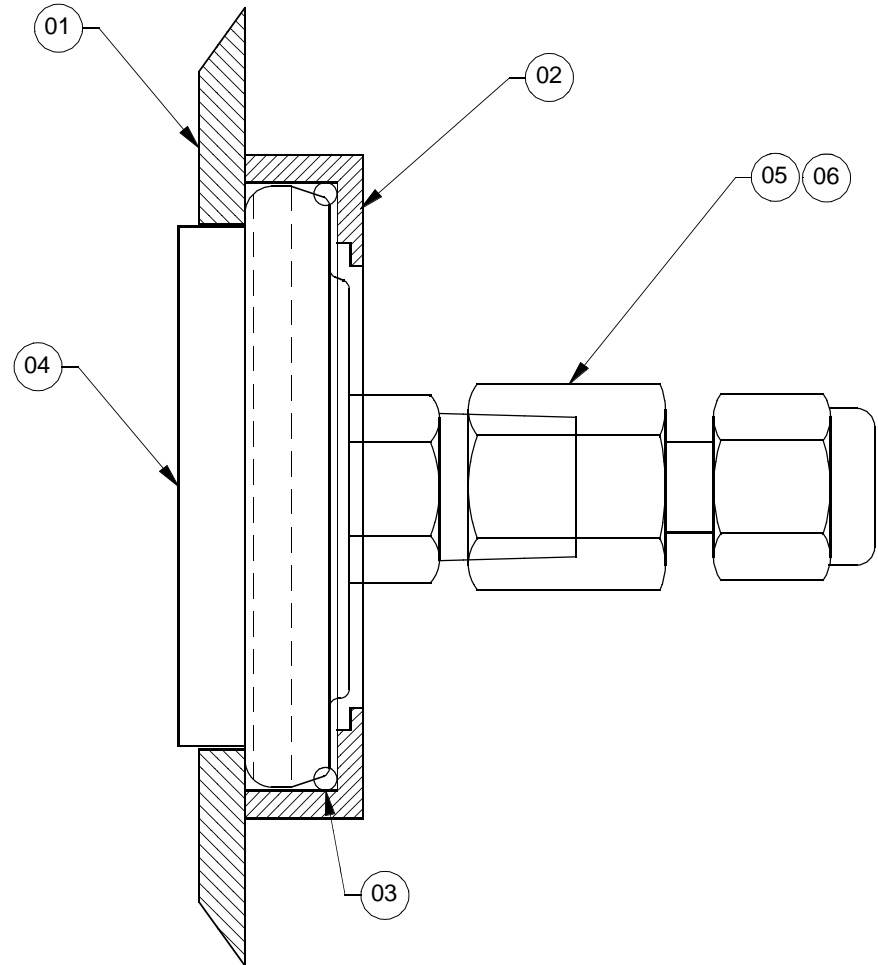
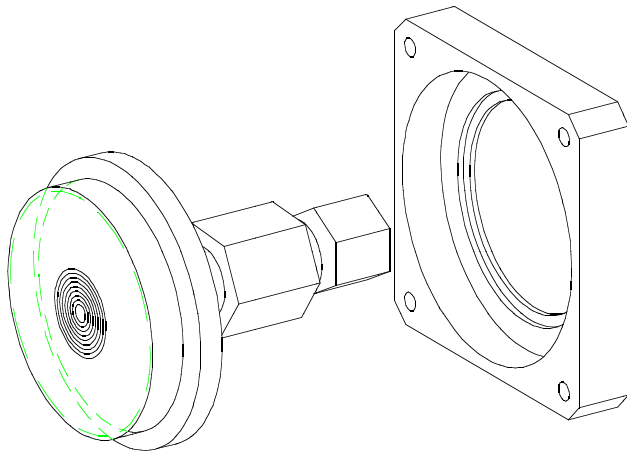
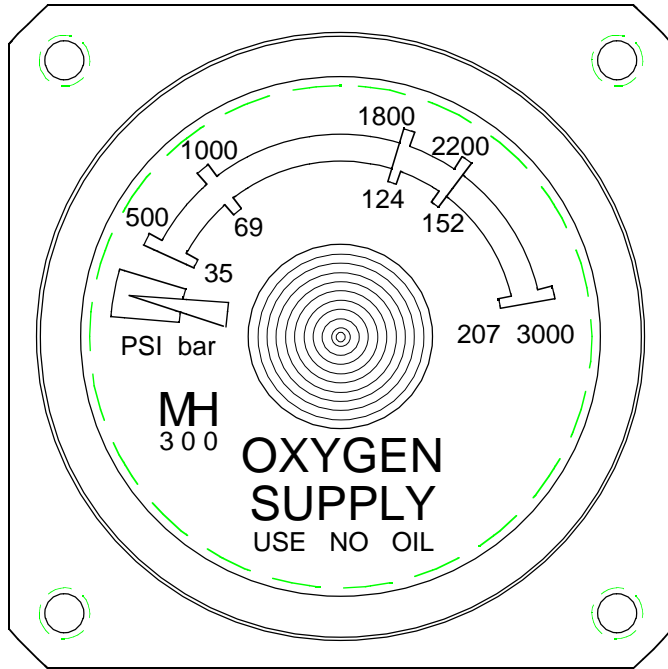
3

2

1

REF	QTY	DWG / PART NO.	REV	SUB-ASSY.	NOMENCLATURE
01	-				CUSTOMER'S PANEL
02	01	MH30-201	-		REAR-MOUNT GAUGE-PLATE
03	01	9001-029-S50	-		O-RING: 2-029 S-050
04	01	9500-003	-		MH-300 GAUGE UNIT
05	01	-	-		STAINLESS FITTING; 1/8 NPT-F TO 1/16" OD TUBE
06	01	-	-		BRASS FITTING; 1/8 NPT-F TO 1/8" OD TUBE
	04	-	-		MOUNTING HARDWARE

REVISION HISTORY			
REV	DATE	E. C. O. / APPR.	NOTES



UNLESS OTHERWISE SPECIFIED DIMS ARE IN INCHES.
TOLERANCES ARE:

0.X ±0.015 ANGLES FRACTIONS 63/√
0.XX ±0.010 ±0.5° ±1/64
0.XXX ±0.005

THIRD ANGLE
PROJECTION.

<CR> KEY CHARACTERISTICS

<MA> PER CORP. DOC: ESR-001

NO.

MH MOUNTAIN HIGH
E&S CO.
REDMOND, OR. USA

INTERPRET GD&T DIMS AND TOLS PER ASME 14.5

ISSUED: DATE

DRAWN: PLM 08-22-00

ENGINEER: PLM 08-22-00

APPR: DATE

GAUGE MOUNT; 1.5 ASSY.

DWG. #: MH30-101

REV -

SIZE A SHEET 1 OF 1 DO NOT SCALE DRAWING

4

3

2

1