

4

3

2

1

Specifications

Service Gas: Oxygen per MIL-027210, Type 1
 Inlet Pressure: 0-150 psig
 Construction: 7075-T651 Alum. PER QQ-A-250/13 (UNS A87075)
 Anodize Per MIL-A-8625 Type II class 2
 Weight: 0.5 oz Max.

REVISION HISTORY			
REV	DATE	E. C. O. / APPR.	NOTES
A	02-10-01	PLM	CHANGED DWG NO FROM (SC01-100) FOR SCD DETAIL
B	03-02-01	PLM	CHANGED DIRECTION OF PART SHOWING FLOW

8-32 UNC-2B INTERNAL THREADS FOR FILTER & FLOW-CONTROL ORIFICE

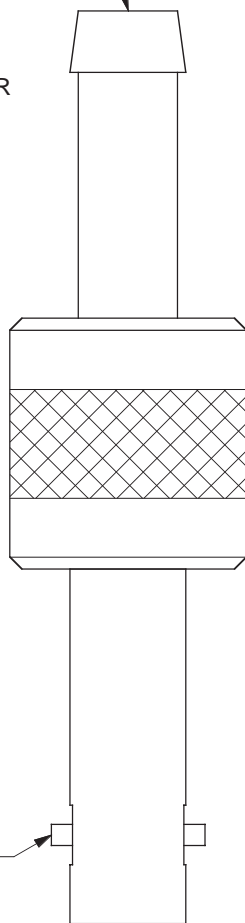
BARBED END FOR 5/32" ID 9/32" OD TUBING



BAYONETT END FOR OXYGEN OUTLET

LOCKING PINS

Ø 0.500



Ø 0.245

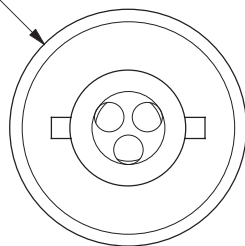
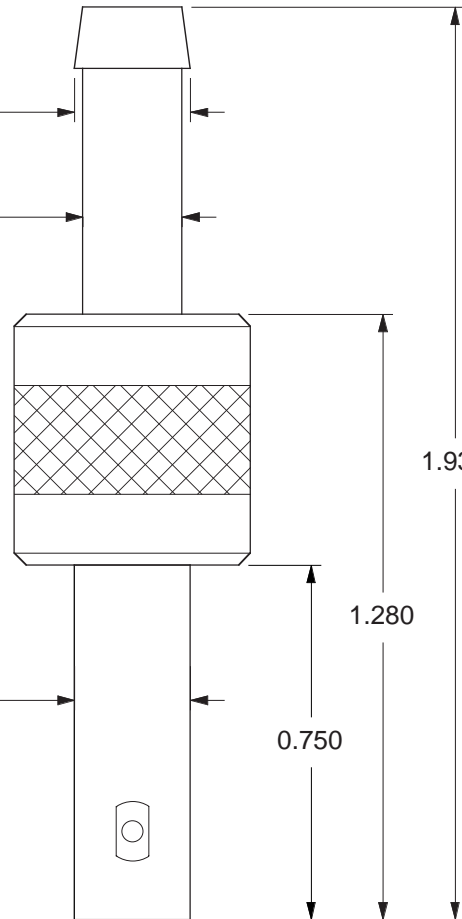
Ø 0.210

Ø 0.245

1.930

1.280

0.750



NOTICE

THIS PART IS NOT MANUFACTURED BY ANY FAA TSO NOR DOES THE PART HAVE ANY DIRECT APPROVAL FOR ANY STC

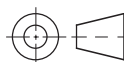
THIS PART WAS NOT PRODUCED UNDER ANY FAA PMA AND IS INTENDED FOR EXPERIMENTAL AIRCRAFT PUPOSES.

UNLESS OTHERWISE SPECIFIED DIMS ARE IN INCHES. TOLERANCES ARE:

0.X ±0.015 ANGLES FRACTIONS 63
 0.XX ±0.010 ± 0.5° ± 1/64
 0.XXX ±0.005

INTERPRET GD&T DIMS AND TOLS PER ASME 14.5

THIRD ANGLE PROJECTION.



<CR> KEY CHARACTERISTICS

<MA> PER CORP. DOC: ESR-001

MH MOUNTAIN HIGH E&S CO. REDMOND, OR. USA

ISSUED:	DATE	MATERIAL:	NOTE 1	A-8750 TYPE OXYGEN CONNECTOR	
DRAWN: PLM	07-28-98	FINISH:	NOTE 2	DWG. #: SC01-050 (SCD) REV B	
ENGINEER: PLM	07-28-98	CLEAN:	NOTE 3		
APPR:	DATE	MARKING:	NOTE 4	SIZE A	SHEET 1 OF 1

DO NOT SCALE DRAWING

4

3

2

1